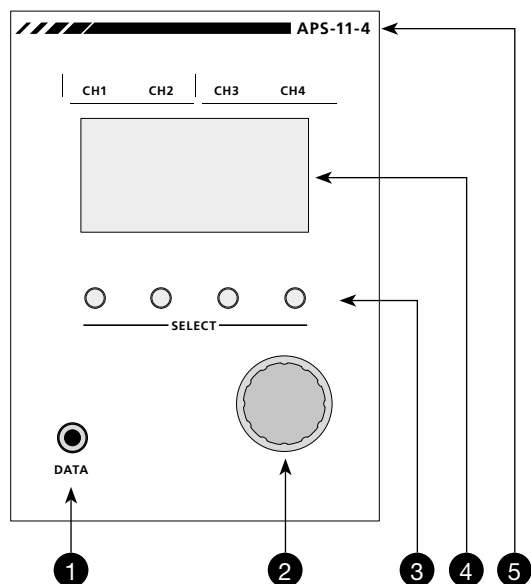


# APS-11-4

## 4 channel LF output module with DSP functions



### Front view (FRS)

- 1 Socket for programming
- 2 Volume control
- 3 Multifunction display
- 4 Channel selection button
- 5 Model code

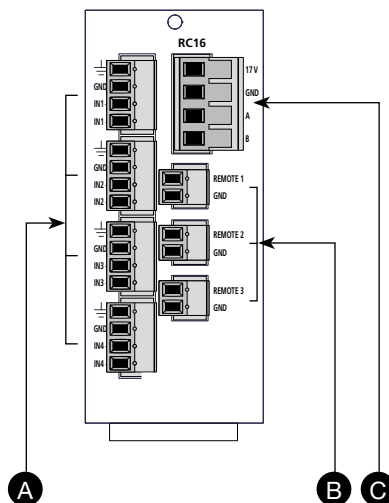
### Description

#### Designation and function

Universal input module for the reproduction of 4 individual sound sources according to the label

#### Function of the module

- High end pre-amplifier
- DSP functions for each channel:
  - Delay (122 ms divisible on all four channels)
  - Two volumes switchable:
    - volume, volume «shadow» (-100 dB to +6 dB)
  - Equalizer (10 fully parametric bands,  $\pm 12$  dB)
  - Two point dynamic
    - (Two modes: expander, compressor, limiter, noise gate)
- 16 Presets switchable
- Display of preset number/preset name
- Indicator (Pre/Postfader, Clipping-Warning)



### Rear view (RWS)

- A Connector for LF signal
- B Connector for priority contact
- C Connector for remote control bus RC16 bus

- Various DSP functions remotely controlled
- Parameter settings over the software
- Level detection
- Dimmable display lighting
- Switchable phantom power 48 V

#### Rear panel (RWS)

RWS-11-4

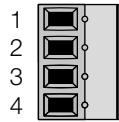
### Ordering information

- |               |   |
|---------------|---|
| Art. N° 10910 | Additional board for connection of remote control APS-44x |
| Art. N° 10930 | Adapter for accepting galvanically isolated 100 V signal  |

**Technical specifications**

**Connection diagram for the connector block (A)**

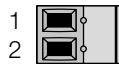
- 1 Casing/Ground
- 2 Ground/Shield
- 3 LF Input sym. –
- 4 LF Input sym. +



**Connection diagram for the connector block (B)**

Standard

- 1 Contact for priority circuit
- 2 Ground

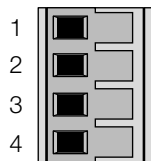


Option

- 1 Supply +15 V DC (with current monitoring) for remote control (APS-44x)
- 2 Ground

**Connection diagram for the connector block (C)**

- 1 Supply remote control 17 V
- 2 Supply remote control/ground
- 3 Data line RC16 A
- 4 Data line RC16 B



**Data**

**Removal of the module from a unit**

- a) CAUTION: the amplifier system must be disconnected from mains and battery supply!
- b) Remove the covering strips at the cabinet
- c) Unscrew the mounting screws
- d) Pulling out the module forwards

**Application**

The 4 input signals are each switched to an input channel with DSP functions for adjustment and processing. The edited input channels can be individually adjusted in volume and switched to the mixed buses M1–M4.

The APS-11-4 can be connected via the RC16 to other ARIA devices or can control RC16 devices themselves

**Functions of the module**

- Preparation and processing of input signals to the M-Bus
- Communication with the processor module APS-990

**General informations**

Signal-to-noise ratio	> 80 dB
Power supply	17 V DC (internal)
Current consumption	250 mA
Max. power output (RC16)	400 mA
Power consumption	4.25 W
Weight (incl. RWS)	0.420 kg
Max. number of modules	8
Phantom powering	48 V (switchable per channel)

**Input sensitivity**

The sensitivity can be set from -60 dB to +18 dB in 3 dB increments (automatic switching of the input impedance at -21 dB).

**Data transfer between APS-11-4 and APS-990**

Via the Data-S bus (preset selection, switchover volume) and I<sup>2</sup>C bus (bus assignment)

**Important**

The use must be in accordance with the programming!