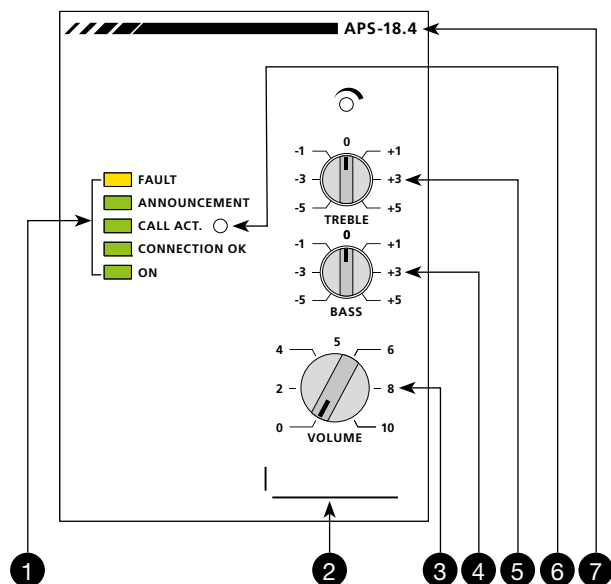


# APS-18.4

## VOIP Telephone interface



### Front view (FRS)

- |                      |                  |
|----------------------|------------------|
| 1 LED Indication     | 5 Treble control |
| 2 Sound source label | 6 Reset button   |
| 3 Volume control     | 7 Model code     |
| 4 Bass control       |                  |

### Description

#### Designation and function

Interface module for the connection of a loudspeaker system to the telephone installation. Possible tasks:

- Selective announcements from telephones by loudspeakers
- Selective function selection by telephone keypad according to acoustic menu navigation
- Listening of the active program

#### Configuration of the module

Via PC user interface:

- Multilingual menu navigation
- Number filter optional
- Authorisation code optional

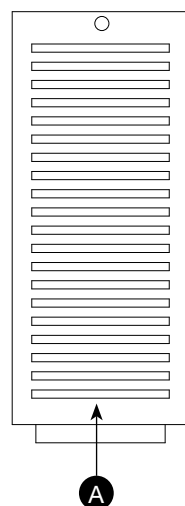
Via Web interface:

- SIP/IP settings

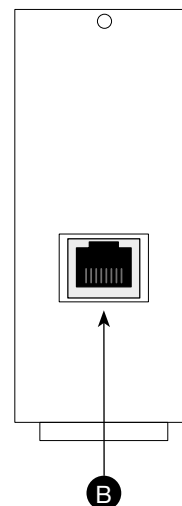
#### Sound source

VOIP telephone installation

RWS-91-2



RWS-59-LAN



### Rear view (RWS)

- A Ventilation slots  
B PC/Network (LAN)

#### Function of the module

- According to the programming of the APS-990 processor module
- According to the configuration of the module

#### Controls for volume, bass and treble

Do affect the tone in all active loudspeakers

#### Security

The operating knobs can be removed (with pliers) – operation only then possible with the aid of a screw-driver; an additional cover makes the operation impossible (prevents operating errors)

#### Rear panels (RWS)

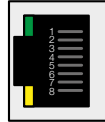
RWS-59-LAN (link to the PC)

RWS-91-2

**Technical specifications**

**Connection diagram for the RJ-45 socket (B)**

- 1 Transmit Data +
- 2 Transmit Data -
- 3 Receive Data +
- 4 Not connected
- 5 Not connected
- 6 Receive Data -
- 7 Not connected
- 8 Not connected



**Data**

**Removal of the module from a unit**

- a) CAUTION: the amplifier system must be disconnected from mains and battery supply!
- b) Remove the covering strips at the cabinet
- c) Unscrew the mounting screws
- d) Pulling out the module forwards

**Tasks of the module**

- LF connection between the telephone system and the input buses (M1–M4) for the function «talking»
- LF connection between the telephone system and the output buses (M1–M4) for the function «listening»
- Communication with the processor module APS-990

**Functions of the module**

According to the configuration of the module

**Priorities of the functions and activation of the AF**

According to the programming of the APS-990

**Data transfer between APS-18.4 and APS-990**

Via the Data-S and I<sup>2</sup>C bus

**General information**

Codec	G.711 (a-law, $\mu$ -law)
Datas for texts	WAV, MP3, OGG
Transmission protocol	SIP
Frequency	20 Hz to 4 kHz
Dialing method	DTMF per RTP
Memory space	8 GB
Power consumption	5.10 W
Weight (incl. RWS)	0.690 kg
Operating temperature	-5°C to 40°C
Relative humidity	Max. 85 %, not condensing

**Important**

The use must be in accordance with the programming!