

Analogue Slave Clock

For In- and Outdoor, DCF / GPS



Function

Autonomous clock. Synchronization via DCF or GPS

General informations

- Single sided clock for wall mounting
- Double sided clock including bracket for either wall mounting, standing on roof or hanging from ceiling
- Dial face with hour and minute marks or numerals and minute marks in black on white background. Hour and minute hand black
- Convex acrylic protection glass (no reflection)
- Aluminium case, RAL 7037 dust-grey

Options:

- Case, dials, hands color at buyer's option (extra charge)
- Different clock mechanism for existing systems (12 V, 48 V, 60 V)
- Ball protection bars, Polycarbonate-cover
- Internal illumination
- Pole mount

Technical data

Power consumption	20 mA at 24 V
Environmental temperature	-20°C to 60°C
Rel. humidity	85 %
Protection	IP54

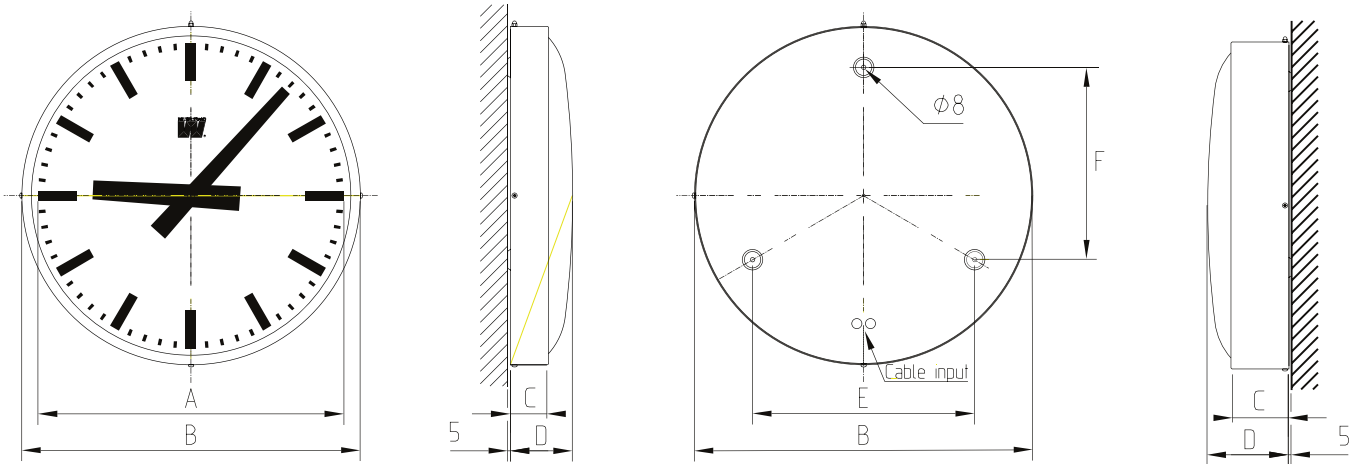
Ordering information

DCF, Battery			
Diameter	Single sided	Double sided	Article N°
Ø 400 mm	•		11 43 620-00
Ø 400 mm		•	14 43 620-00
Ø 600 mm	•		11 63 620-00
Ø 600 mm		•	14 63 620-00
Ø 900 mm	•		11 93 620-00
Ø 900 mm		•	14 93 620-00

DCF, 230 VAC			
Diameter	Single sided	Double sided	Article N°
Ø 400 mm	•		11 43 600-00
Ø 400 mm		•	14 43 600-00
Ø 600 mm	•		11 63 600-00
Ø 600 mm		•	14 63 600-00
Ø 900 mm	•		11 93 600-00
Ø 900 mm		•	14 93 600-00

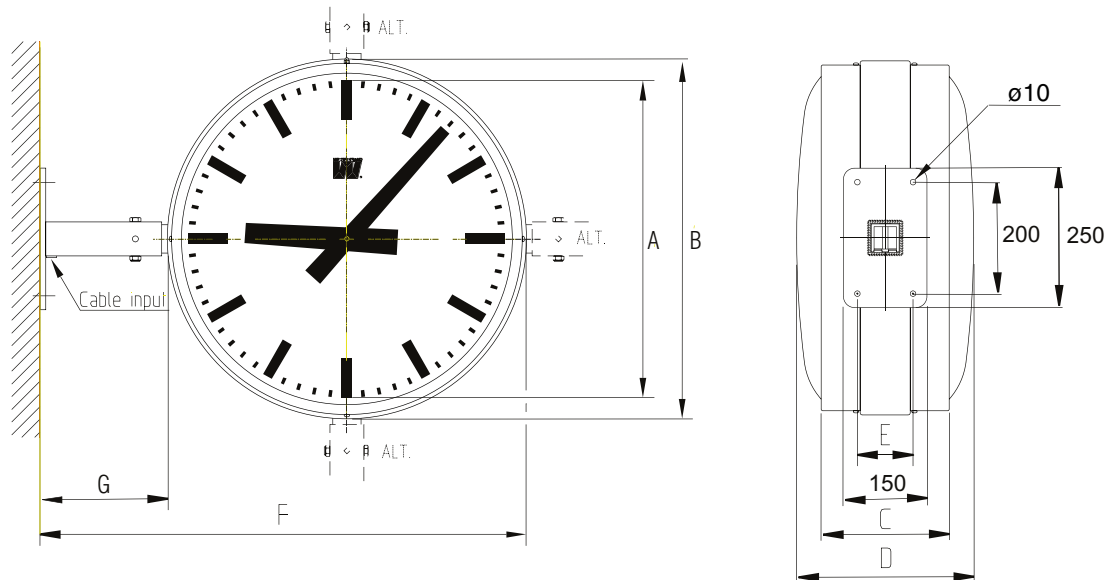
GPS, 230 VAC			
Diameter	Single sided	Double sided	Article N°
Ø 400 mm	•		11 43 480-00
Ø 400 mm		•	14 43 480-00
Ø 600 mm	•		11 63 480-00
Ø 600 mm		•	14 63-480-00
Ø 900 mm	•		11 93 480-00
Ø 900 mm		•	14 93 480-00

Single sided clocks – Specifications



Single sided								
Diameter	A	B	C	D	E	F	Weight	Readability
Ø 400 mm	380	406	70	95	255	222	1.5 kg	35 m
Ø 600 mm	560	620	70	115	407	352	5.0 kg	65 m
Ø 900 mm	860	920	70	125	667	577	10.0 kg	100 m

Double sided clocks – Specifications



Double sided									
Diameter	A	B	C	D	E	F	G	Weight	Readability
Ø 400 mm	380	425	230	275	75	625	200	4.0 kg	35 m
Ø 600 mm	560	635	230	320	100	860	225	12.0 kg	65 m
Ø 900 mm	860	935	230	340	100	1160	225	19.5 kg	100 m