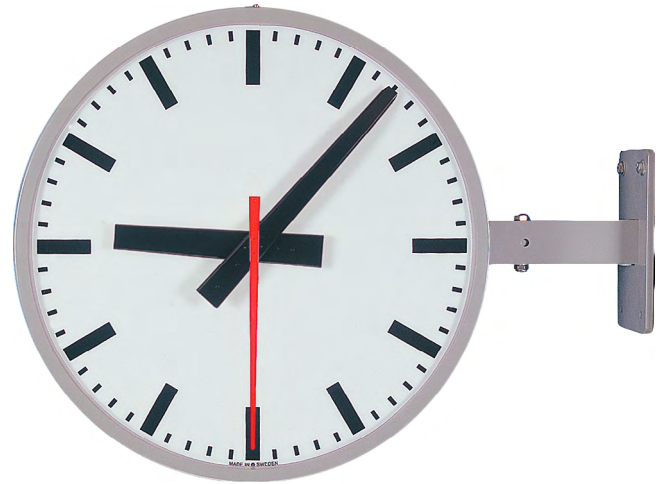


# Analogue Slave Clock

For In- and Outdoor, GPS



## Function

Stand-alone clock to be operated by GPS signal. The global navigation satellite system GPS is available for maximum precision without restriction.

By means of the GPS signal, the satellites constantly transmit their orbit positions and the time at a frequency of 1.57542 GHz. The GPS signal achieves an accuracy of one billionth of a second with a location accuracy of one metre at the reception location of the GPS antenna.

Owing to the high transmission frequency of 1.57542 GHz, the GPS signal is virtually unsusceptible to interference

## General informations

- Single sided clock for wall mounting
- Double sided clock including bracket for either wall mounting, standing on roof or hanging from ceiling
- Dial face with hour and minute marks or numerals and minute marks in black on white background. Hour and minute hand black
- Convex acrylic plastic protection glass (no reflections)
- Aluminium case, RAL 7037 dust-grey

Options:

- Case, dials, hands color at buyer's option (extra charge)
- Protection case and polycarbonate protection glass
- Sweeping seconds hand in red. Required main supply 230 VAC
- Internal illumination
- Pole mount

## Technical data

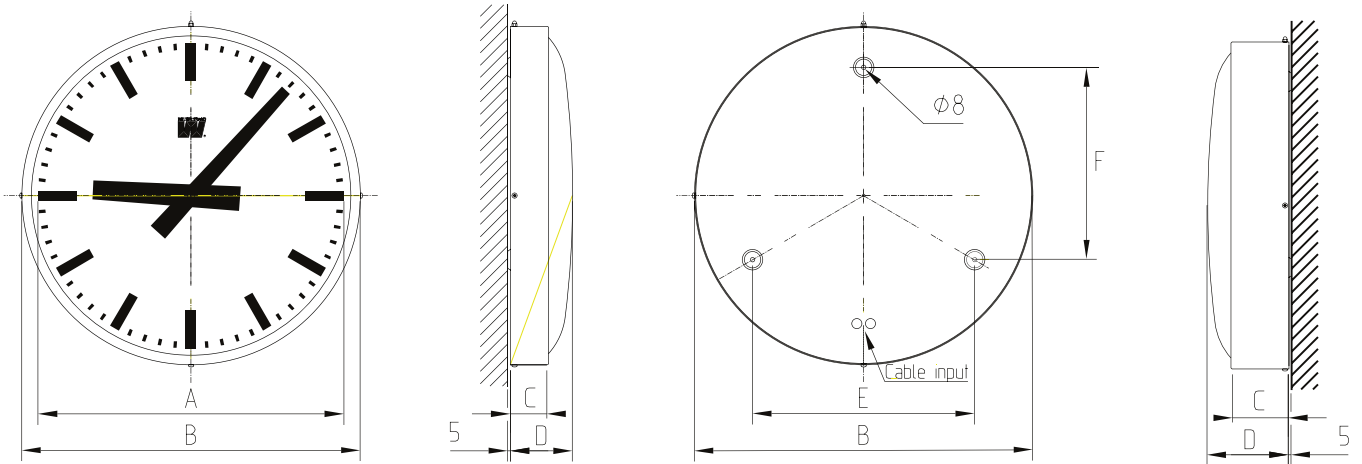
Power Supply	Batterie or 230 V
Environmental temperature	0°C to 40°C
Rel. humidity	85 %
Protection	IP52 (Indoor) IP54 (Outdoor)

## Ordering information

Single sided			Without sweep hand	With sweep hand
Diameter	In	Out	Article N°	Article N°
Ø 400 mm	•	•	1143480	1143484
Ø 600 mm	•	•	1163480	1163484
Ø 900 mm	•	•	1193480	1193484

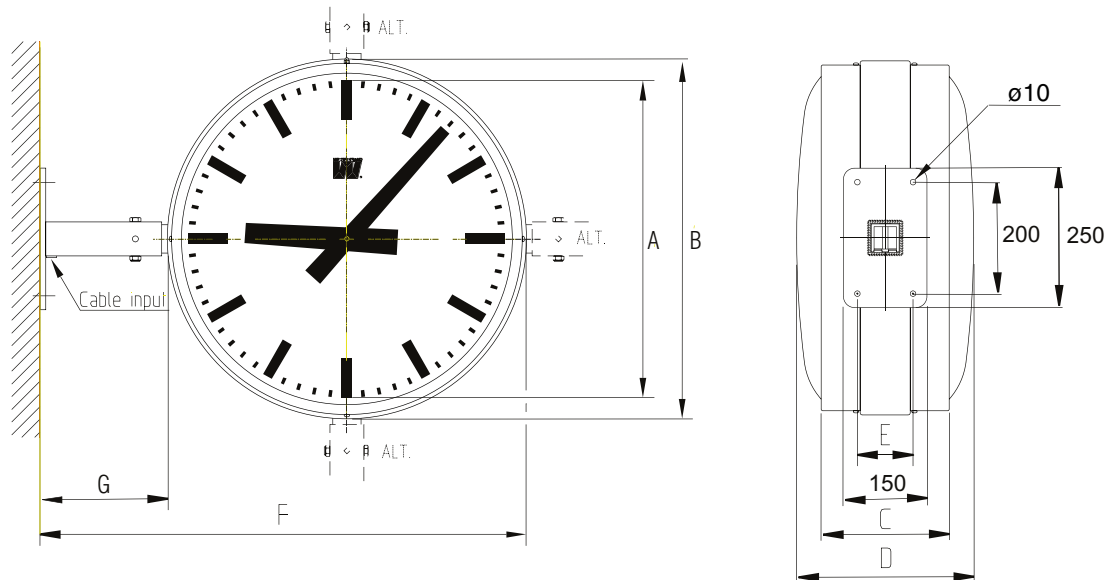
Double sided			Without sweep hand	With sweep hand
Diameter	In	Out	Article N°	Article N°
Ø 400 mm	•	•	1443480	1443484
Ø 600 mm	•	•	1463480	1463484
Ø 900 mm	•	•	1493480	1493484

**Single sided clocks – Specifications**



Single sided								
Diameter	A	B	C	D	E	F	Weight	Readability
Ø 400 mm	380	406	70	95	255	222	1.5 kg	40 m
Ø 600 mm	560	620	70	115	407	352	5.0 kg	50 m
Ø 900 mm	860	920	70	125	667	577	10.0 kg	100 m

**Double sided clocks – Specifications**



Double sided									
Diameter	A	B	C	D	E	F	G	Weight	Readability
Ø 400 mm	380	425	230	275	75	625	200	4.0 kg	40 m
Ø 600 mm	560	635	230	320	100	860	225	12.0 kg	50 m
Ø 900 mm	860	935	230	340	100	1160	225	19.5 kg	100 m