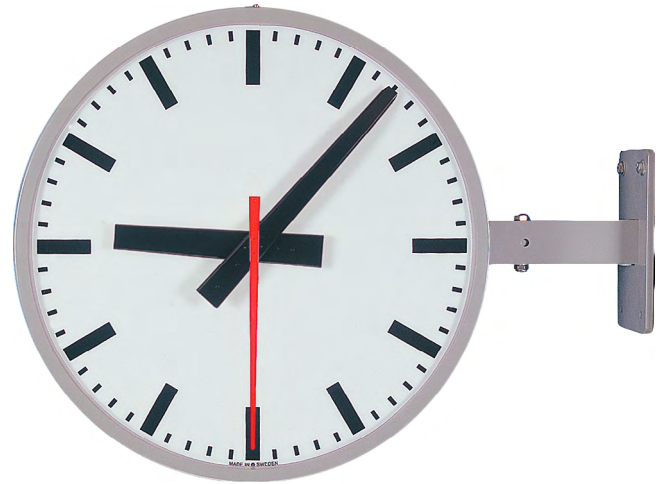


Analogue Slave Clock

For In- and Outdoor, MINUTE IMPULSE 24 V



Function

Polarised minute impulses from master clock

General informations

- Single sided clock for wall mounting
- Double sided clock including bracket for either wall mounting, standing on roof or hanging from ceiling
- Dial face with hour and minute marks or numerals and minute marks in black on white background. Hour and minute hand black
- Convex acrylic protection glass (no reflection)
- Aluminium case, RAL 7037 dust-grey

Options:

- Case, dials, hands color at buyer's option (extra charge)
- Different clock mechanism for existing systems (12 V, 48 V, 60 V)
- Ball protection bars, Polycarbonate-cover
- Sweeping red second hand. Requires 230 VAC
- Internal illumination
- Pole mount

Technical data

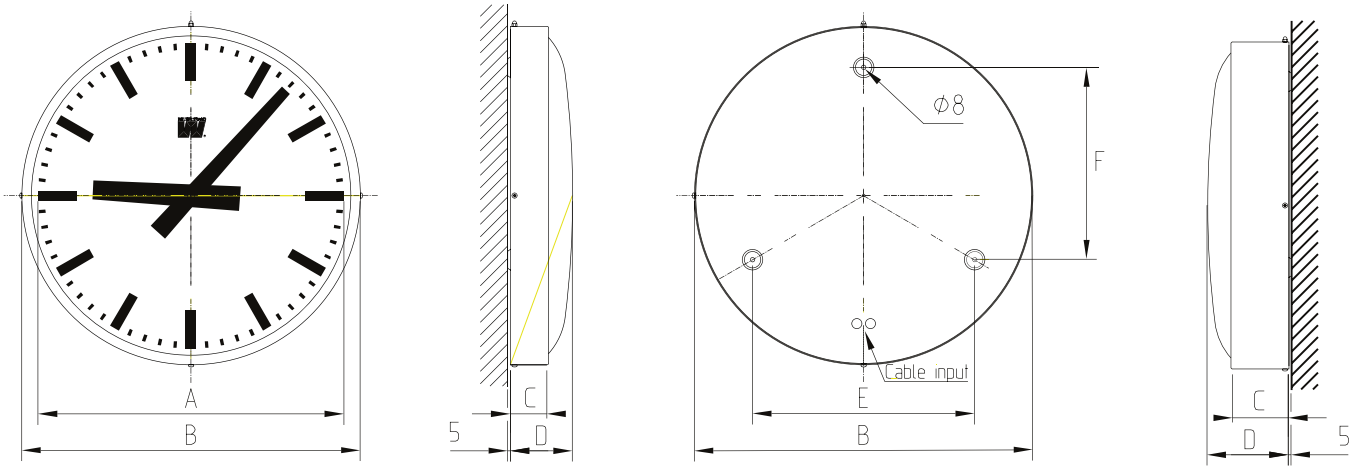
Power consumption	20 mA at 24 V
Environmental temperature	-20°C to 60°C
Rel. humidity	85%
Protection	IP52 (Indoor) IP54 (Outdoor)

Ordering information

Single sided			
Diameter	Indoor	Outdoor	Article N°
Ø 400 mm	•		1043120
Ø 400 mm		•	GM-1143120
Ø 600 mm	•		1063120
Ø 600 mm		•	GM-1163120
Ø 900 mm	•		1093120
Ø 900 mm		•	GM-1193120

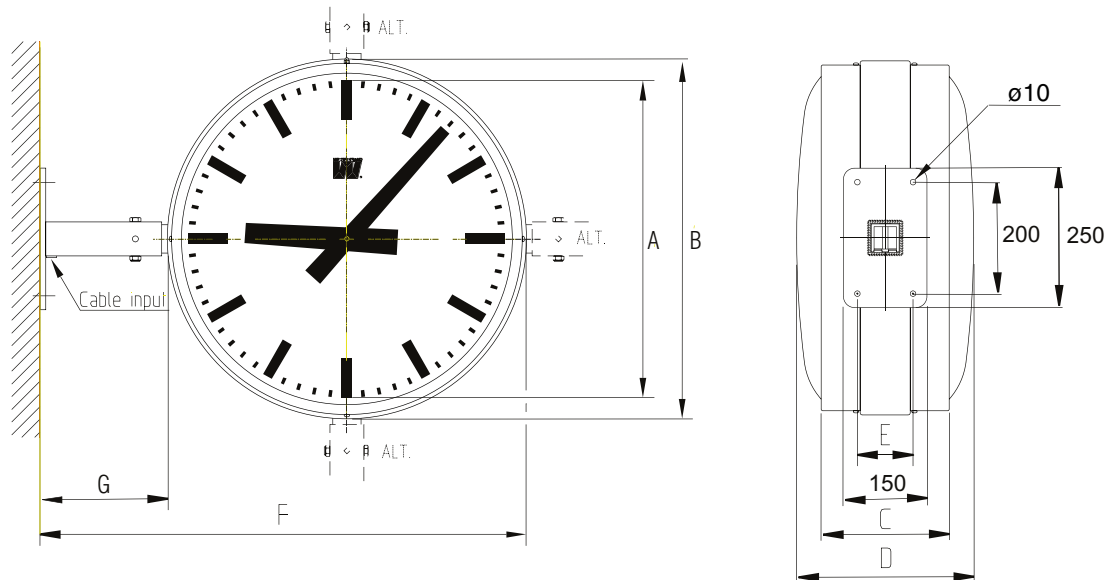
Double sided			
Diameter	Indoor	Outdoor	Article N°
Ø 400 mm	•	•	GM-1443120
Ø 600 mm	•	•	GM-1463120
Ø 900 mm	•	•	GM-1493120

Single sided clocks – Specifications



Single sided								
Diameter	A	B	C	D	E	F	Weight	Readability
Ø 400 mm	380	406	70	95	255	222	1.5 kg	35 m
Ø 600 mm	560	620	70	115	407	352	5.0 kg	65 m
Ø 900 mm	860	920	70	125	667	577	10.0 kg	100 m

Double sided clocks – Specifications



Double sided									
Diameter	A	B	C	D	E	F	G	Weight	Readability
Ø 400 mm	380	425	230	275	75	625	200	4.0 kg	35 m
Ø 600 mm	560	635	230	320	100	860	225	12.0 kg	65 m
Ø 900 mm	860	935	230	340	100	1160	225	19.5 kg	100 m