

Analogue Slave Clock

For In- and Outdoor, NTP



Features

The analog NTP-PoE clocks receive the time from the NTP-server in the local network. Automatic time correction every second hour during normal operation. Supervision and alarm management are available by standard protocols. When a power brake occurs, the clocks will temporarily stop, and will automatically be reset when the power return. Power supply by PoE, Power over Ethernet by a RJ45 network connector. The Ethernet cable is combining power supply and data. PoE network switch is available. Therefore you will need special network switches with PoE output. Alternatively the excitation is also possible with 230 V instead of PoE.

General informations

- Single sided clock for wall mounting
- Double sided clock including bracket for either wall mounting, standing on roof or hanging from ceiling
- Dial face with hour and minute marks or numerals and minute marks in black on white background.
Hour and minute hand black
- Convex acrylic plastic protection glass (no reflections)
- Aluminium case, RAL 7037 dust-grey

Options:

- Case, dials, hands color at buyer's option (extra charge)
- Protection case and polycarbonate protection glass
- Internal illumination
- Pole mount

Technical informations

Protocols supported	<ul style="list-style-type: none"> • Network Time Protocol (NTP) Version 1, 2, 3 and 4 • SNTP version 3 and 4 • MD5 authentication and autokey Key Management
NTP protocol modes	<ul style="list-style-type: none"> • Unicast client mode (point to point), support for DHCP option 42 • Broadcast & Multicast mode (point to multipoint) • Multicast group address 224.0.1.1
Other supported protocols	HTTP, Telnet, SNMP, SYSLOG
Transport protocol	TCP-, UDP
IP address assignment	IPv4, IPv6
Compatibility	Ethernet version 2/IEEE 802.3af
Ethernet	Supports 10/100 BASE-T (RJ45) connections
Additional information	Support for DNS Bracket arm in aluminium profile
Power over Ethernet	IEEE 802.3af
Power consumption	2 Watts
Temperature range	-20° C to 60° C
Noise (normal run)	< 35 db (A)
Standards compliance	<ul style="list-style-type: none"> • EN 61000-6-3:2001 Emission • EN 61000-6-2:2005 Immunity
Clock size/Reading distance	Ø 230 mm / 10 m Ø 300 mm / 20 m Ø 400 mm / 35 m

Ordering information

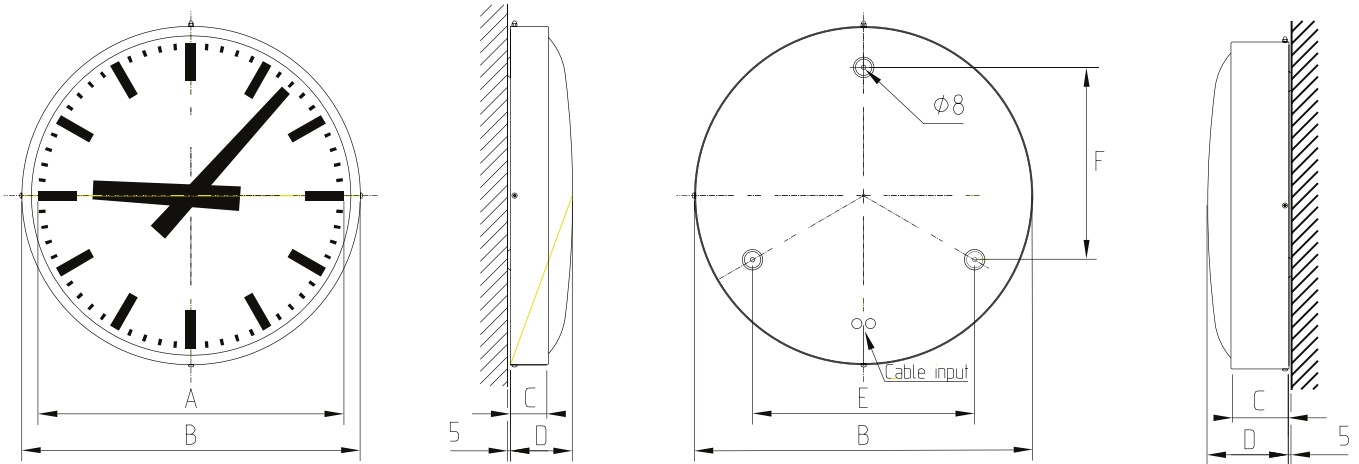
NTP Outdoor clock, power supply 230 V, Dial: lines

Single sided, wall mounting	
11 43 590	Ø 400 mm
11 63 590	Ø 600 mm
11 93 590	Ø 900 mm
Double sided, Wall or ceiling mounting with support	
14 43 590	Ø 400 mm
14 63 590	Ø 600 mm
14 93 590	Ø 900 mm
Single sided, wall mounting, creeping second hand	
11 43 594	Ø 400 mm
11 63 594	Ø 600 mm
11 93 594	Ø 900 mm
Double sided, wall or ceiling mounting with support, creeping second hand	
14 43 594	Ø 400 mm
14 63 594	Ø 600 mm
14 93 594	Ø 900 mm

NTP Outdoor clock, power supply PoE, Dial: lines

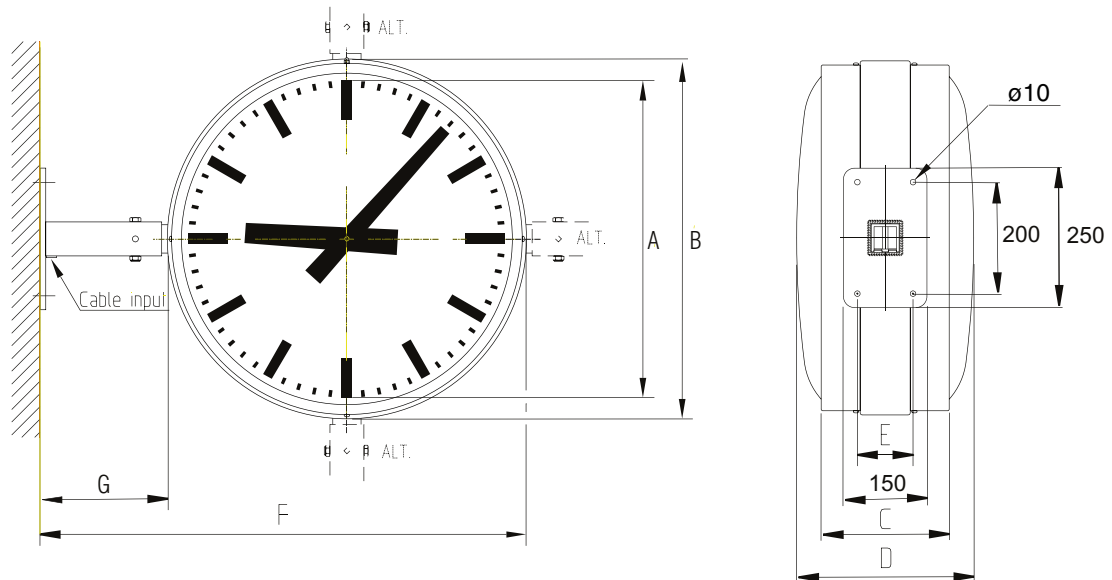
Single sided, wall mounting	
11 43 490	Ø 400 mm
11 63 490	Ø 600 mm
11 93 490	Ø 900 mm
Double sided, Wall or ceiling mounting with support	
14 43 490	Ø 400 mm
14 63 490	Ø 600 mm
14 93 490	Ø 900 mm
Single sided, wall mounting, creeping second hand	
11 43 498	Ø 400 mm
11 63 498	Ø 600 mm
11 93 498	Ø 900 mm
Double sided, wall or ceiling mounting with support, creeping second hand	
14 43 498	Ø 400 mm
14 63 498	Ø 600 mm
14 93 498	Ø 900 mm

Single sided clocks – Specifications



Single sided								
Diameter	A	B	C	D	E	F	Weight	Readability
Ø 400 mm	380	406	70	95	255	222	1.5 kg	35 m
Ø 600 mm	560	620	70	115	407	352	5.0 kg	65 m
Ø 900 mm	860	920	70	125	667	577	10.0 kg	100 m

Double sided clocks – Specifications



Double sided									
Diameter	A	B	C	D	E	F	G	Weight	Readability
Ø 400 mm	380	425	230	275	75	625	200	4.0 kg	35 m
Ø 600 mm	560	635	230	320	100	860	225	12.0 kg	65 m
Ø 900 mm	860	935	230	340	100	1160	225	19.5 kg	100 m