

Analogue Slave Clock

For In- and Outdoor, TIME CODE IMPULSE



Function

Slave Clock to be operated by time code minute impulses from master clock or time central

General informations

- Single sided clock for wall mounting
- Double sided clock including bracket for either wall mounting, standing on roof or hanging from ceiling
- Dial face with hour and minute marks or numerals and minute marks in black on white background. Hour and minute hand black
- Convex acrylic plastic protection glass (no reflections)
- Aluminium case, RAL 7037 dust-grey

Options:

- Case, dials, hands color at buyer's option (extra charge)
- Protection case and polycarbonate protection glass
- Sweeping seconds hand in red. Required main supply 230 VAC
- Internal illumination
- Pole mount

Technical data

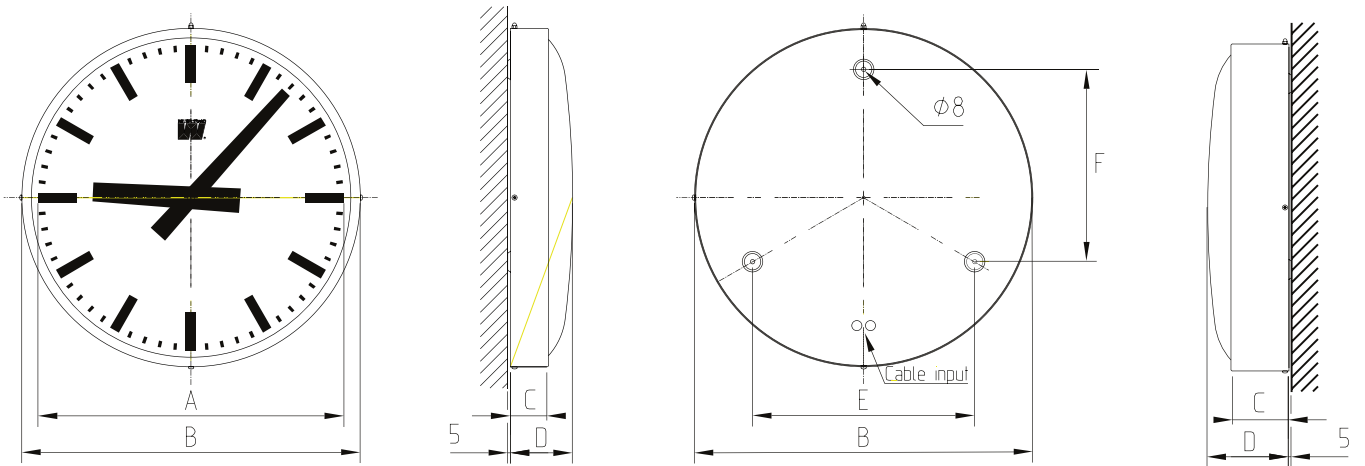
Power consumption	20 mA at 24 V
Environmental temperature	-20°C to 60°C
Rel. humidity	85 %
Protection	IP52 (Indoor) IP54 (Outdoor)

Ordering information

Single sided			
Diameter	Indoor	Outdoor	Article N°
Ø 400 mm	•		1043520
Ø 400 mm		•	GM-1143520
Ø 600 mm	•		1063520
Ø 600 mm		•	GM-1163520
Ø 900 mm	•		1093520
Ø 900 mm		•	GM-1193520

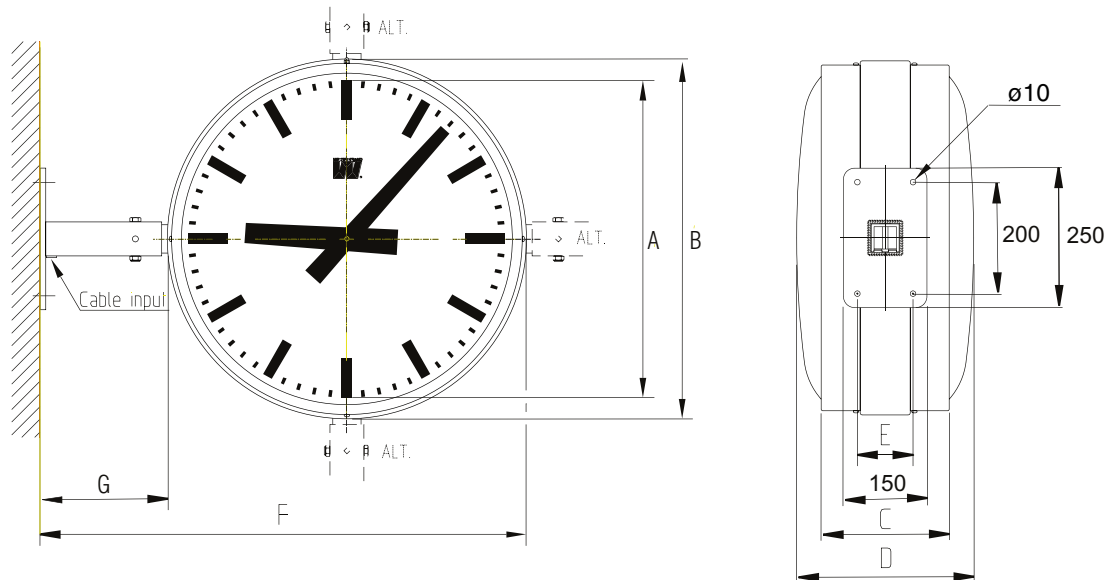
Double sided			
Diameter	Indoor	Outdoor	Article N°
Ø 400 mm	•	•	1443520
Ø 600 mm	•	•	GM-1463520
Ø 900 mm	•	•	1493520

Single sided clocks – Specifications



Single sided								
Diameter	A	B	C	D	E	F	Weight	Readability
Ø 400 mm	380	406	70	95	255	222	1.5 kg	35 m
Ø 600 mm	560	620	70	115	407	352	5.0 kg	65 m
Ø 900 mm	860	920	70	125	667	577	10.0 kg	100 m

Double sided clocks – Specifications



Double sided									
Diameter	A	B	C	D	E	F	G	Weight	Readability
Ø 400 mm	380	425	230	275	75	625	200	4.0 kg	35 m
Ø 600 mm	560	635	230	320	100	860	225	12.0 kg	65 m
Ø 900 mm	860	935	230	340	100	1160	225	19.5 kg	100 m