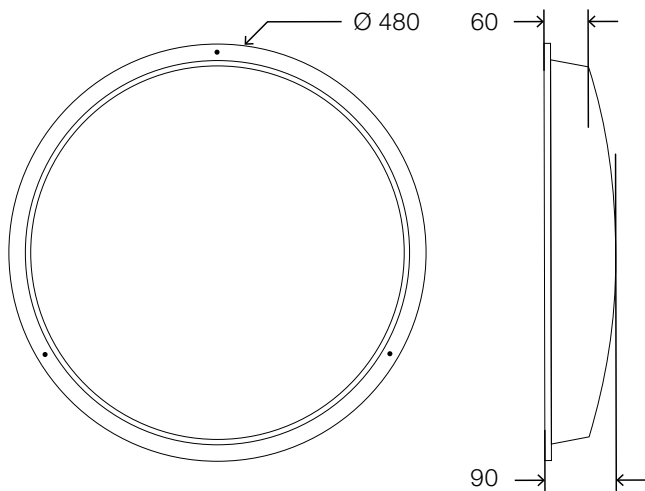


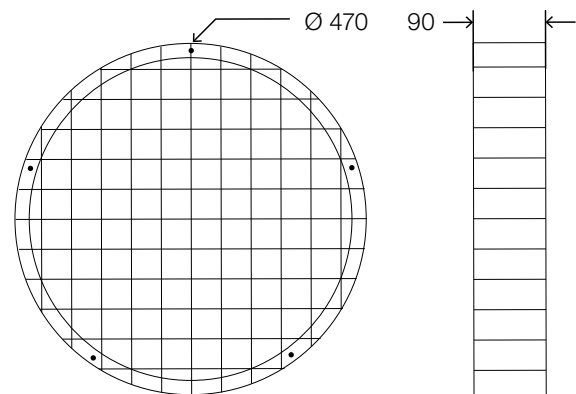
Protection cover

For analogue slave clocks



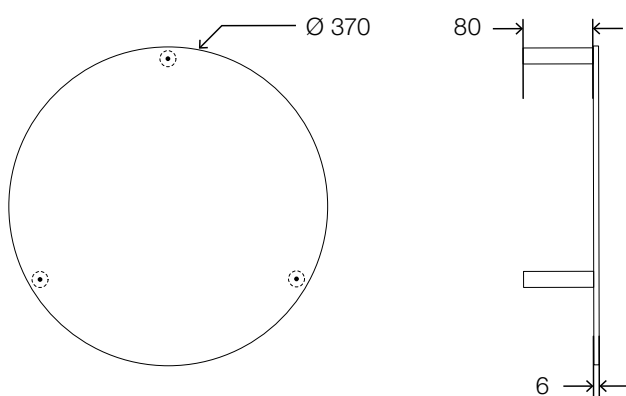
GM-111286

Polycarbonate protection cover.



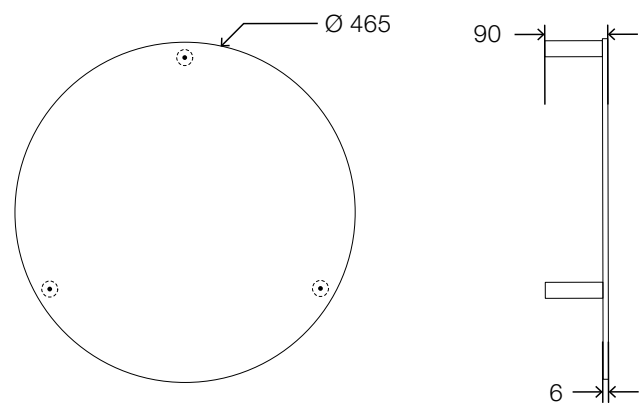
GM-111287

Protection cover made of steel, galvanised.
For round clocks till \varnothing 400 mm.



GM-111288

Protection cover, flat, with 3 pillars.
For round clocks till \varnothing 300 mm.



GM-111289

Protection cover, flat, with 3 pillars.
For round clocks till \varnothing 400 mm.

All dimensions in mm