

GM-3305-EN5424



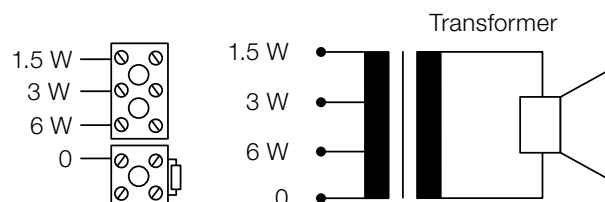
Features

- Ceiling speaker with fire dome
- 6 W loudspeaker, transformer 100 V
- For background music and speech reproduction


Specifications

Loudspeaker system	1-way
Nominal noise power 100 V	1.5/3/6 W
Nominal noise power 8 Ω	6 W
Nominal impedance 100 V	6667/3333/1667 Ω
Sensitivity (1 W/1 m)	91.3 dB
Sensitivity (1 W/4 m)	77.9 dB
Maximum SPL (6 W/1 m)	99.1 dB
Maximum SPL (6 W/4 m)	85.7 dB
Frequency range (-10 dB)	140–16'000 Hz
Coverage angle (-6 dB)	H 180°/180°/180°/68°
(0.5/1/2/4 kHz)	V 180°/180°/180°/68°
Dimensions (Ø/Depth)	185/120 mm
Cutout	Ø 165 mm
Material	ABS 765A
Weight	0.8 kg
Color	White RAL 9003
Temperature range	-20 °C to ~45 °C
Protection	IP44
Measurement environment	Half-space free-field

Electrical connection



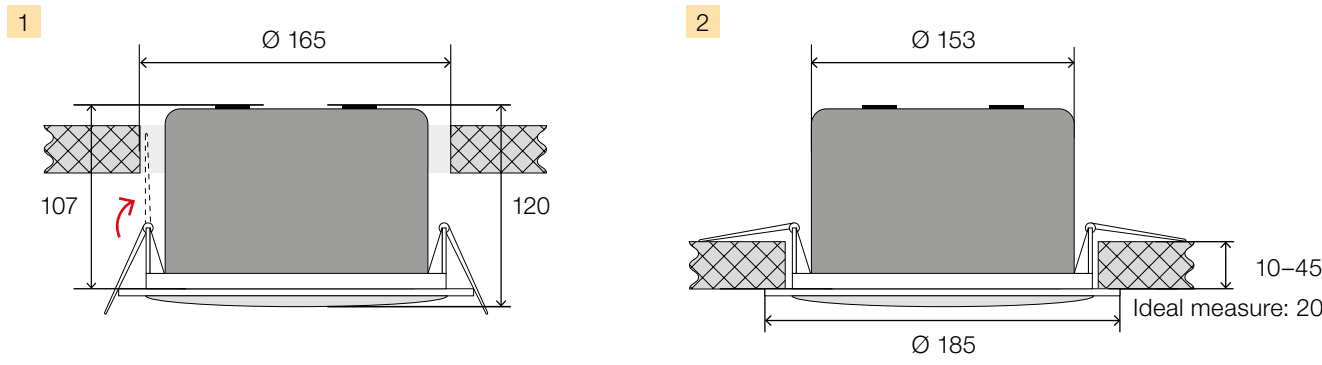
Certificates

 1438
g+m elektronik ag Buererfeld 12, CH-9245 Oberbüren, Switzerland 16 1438-CPR-0497
EN 54-24:2008 Loudspeaker for voice alarm systems For fire detection and fire alarm systems for buildings Ceiling loudspeaker 6 W and accessories GM-3305-EN5424 Type A

Ordering information | Accessories

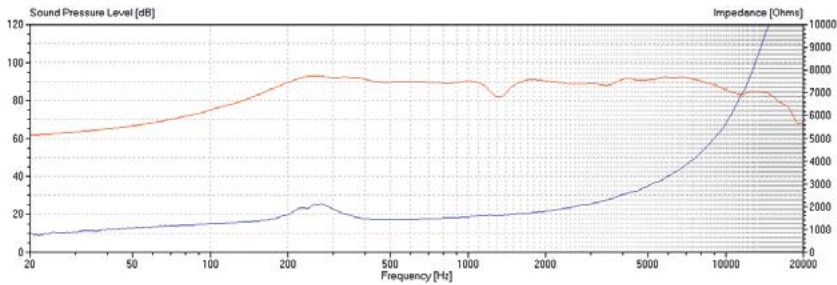
GM-3305-EN5424	Loudspeaker with fire dome in accordance to EN 54-24
Colors	NCS or RAL available on request

Dimensions and fitting (measuring in mm)



This speaker is suitable for a ceiling strength of about 10 to max. 45 mm. Our specification is primarily related to solid ceilings – for ceilings with soft materials a higher ceiling thicknesses could be necessary. In addition, stronger cables and other fittings may also result in changes of the appropriate setup. For an optimal result, we therefore recommend the installation of a pattern in the intended ceiling material.

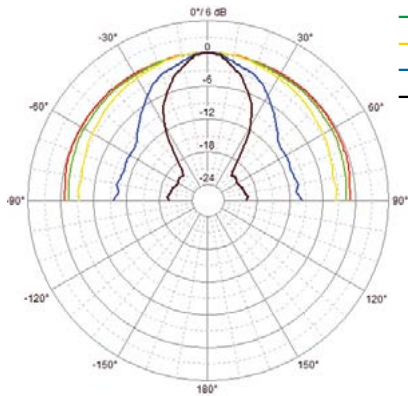
Frequency response | Polar plot



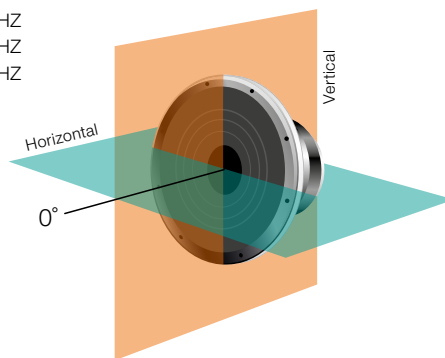
Sensitivity 100 Hz–10 KHz
1/3 Oct. Pink noise total 1 W/4 m

100 Hz	43 dB	125 Hz	50 dB	160 Hz	57 dB
200 Hz	63 dB	250 Hz	67 dB	315 Hz	67 dB
400 Hz	66 dB	500 Hz	65 dB	630 Hz	65 dB
800 Hz	64 dB	1000 Hz	65 dB	1250 Hz	60 dB
1600 Hz	65 dB	2000 Hz	66 dB	2500 Hz	64 dB
3150 Hz	64 dB	4000 Hz	67 dB	5000 Hz	66 dB
6300 Hz	68 dB	8000 Hz	66 dB	10000 Hz	59 dB

Horizontal



- 500 HZ
- 1 kHZ
- 2 kHZ
- 4 kHZ
- 8 kHZ



Vertical

