

# GM-3305

GM-3305 also available as EV-Version



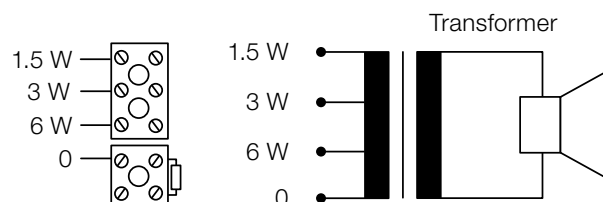
## Features

- Ceiling speaker with firedome
- 6 W loudspeaker, transformer 100 V
- For background music and speech reproduction

## Specifications

Loudspeaker system	1-way
Nominal noise power 100 V	1.5/3/6 W
Nominal noise power 8 Ω	6 W
Nominal impedance 100 V	6667/3333/1667 Ω
Sensitivity (1 W/1 m)	91.3 dB
Sensitivity (1 W/4 m)	77.9 dB
Maximum SPL (6 W/1 m)	99.1 dB
Maximum SPL (6 W/4 m)	85.7 dB
Frequency range (-10 dB)	140–16'000 Hz
Coverage angle (-6 dB)	H 180°/180°/180°/68°
(0.5/1/2/4 kHz)	V 180°/180°/180°/68°
Dimensions (Ø/Depth)	185/120 mm
Cutout	Ø 165 mm
Material	ABS 765A
Weight	0.8 kg
Color	White RAL 9003
Temperature range	-20 °C to ~45 °C
Protection	IP44
Measurement environment	Half-space free-field

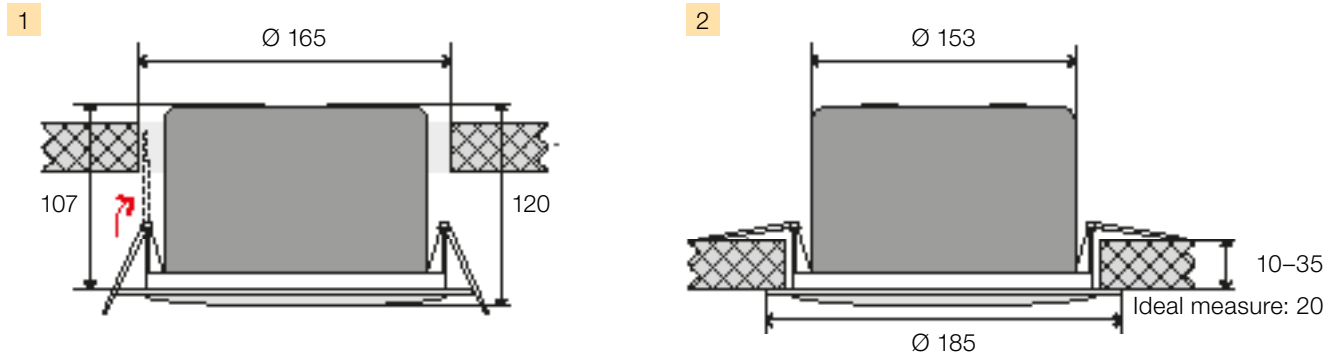
## Electrical connection



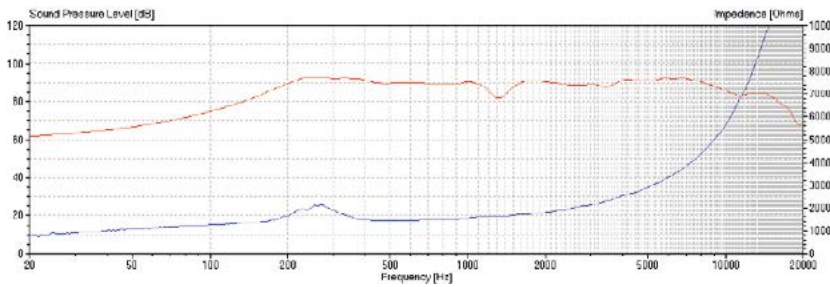
## Ordering information | Accessories

GM-3305	Loudspeaker with firedome
Colors	NCS or RAL available on request

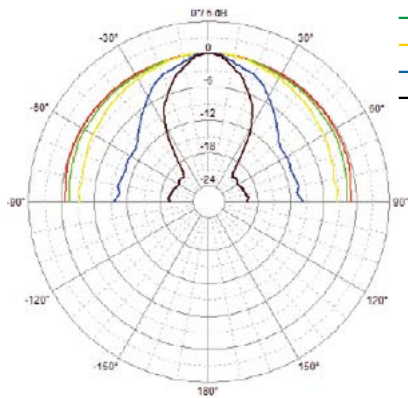
Dimensions and fitting (measuring in mm)



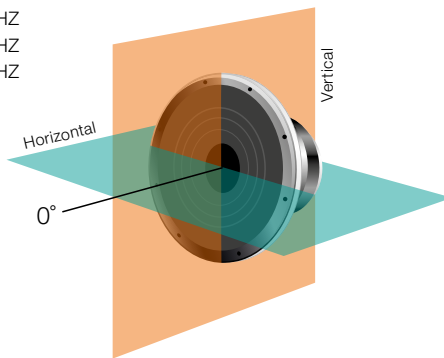
Frequency response | Polar plot



Horizontal



- 500 HZ
- 1 kHz
- 2 kHz
- 4 kHz
- 8 kHz



Vertical

