

# GM-3330



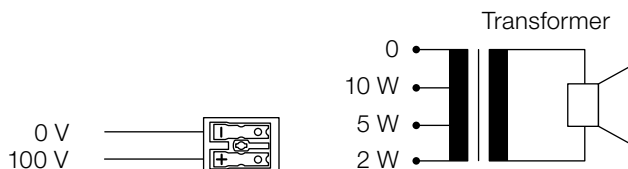
## Features

- 2-way Ceiling speaker with round front grille
- 20 W, 2-way high-power system, transmitter 100 V
- Two separate tweeters
- The 2-way high-performance system provides a very good music and voice reproduction

## Specifications

Loudspeaker system	2-way coaxial
Nominal noise power 100 V	2/5/10 W
Nominal impedance 100 V	5000/2000/1000 Ω
Sensitivity (1 W/1 m)	93 dB
Maximum SPL (10 W/1 m)	103 dB
Frequency range (-10 dB)	70–20'000 Hz
Coverage angle (-6 dB)	H 180°/180°/135°/65°
(0.5/1/2/4 kHz)	V 180°/180°/130°/55°
Dimensions (Ø/Depth)	230/95 mm
Cutout	Ø 196 mm
Housing material	ABS 765A
Weight	1.7 kg
Color	White
Temperature range	-20°C to ~45°C
Protection	IP44
Measurement environment	Half-space free-field

## Electrical connection



## Certificates

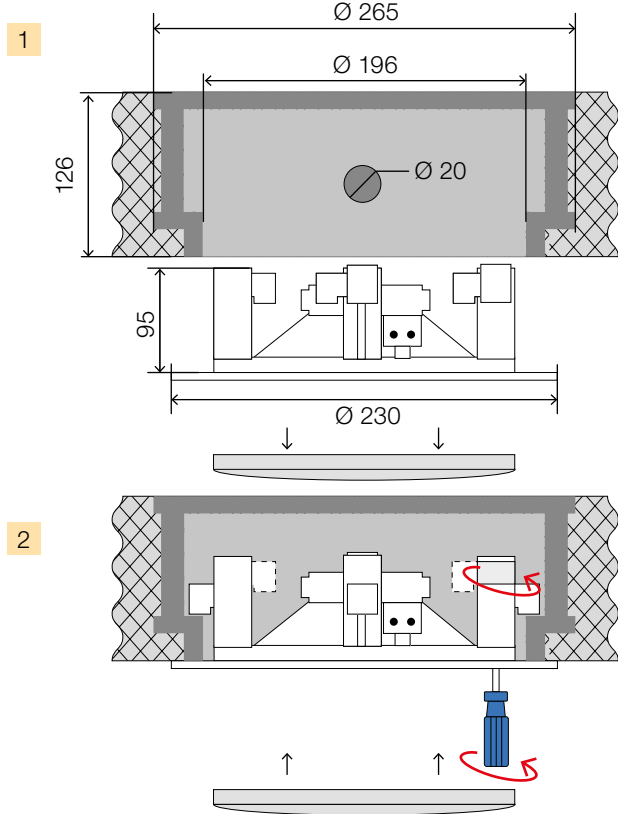
EN 60268-5

## Ordering information | Accessories

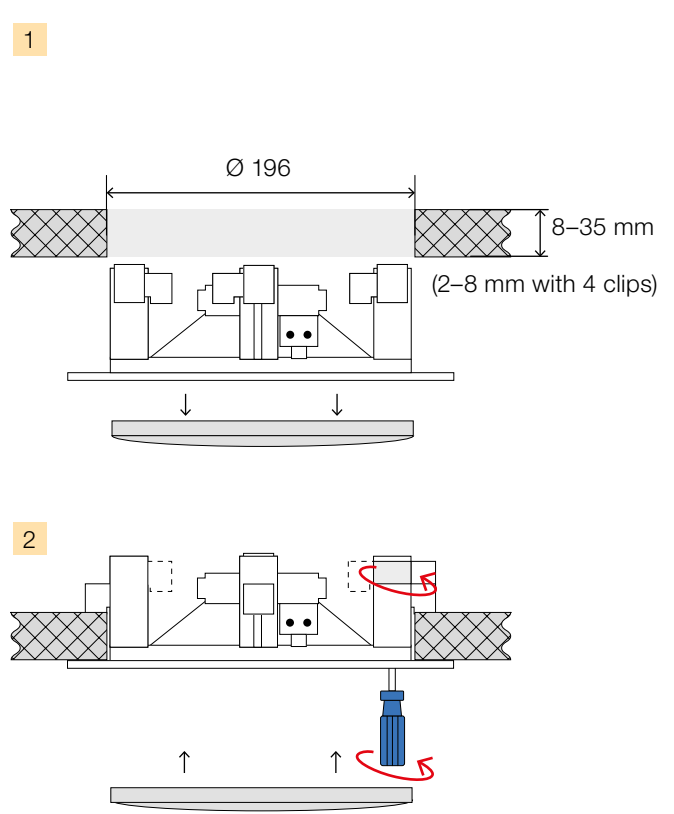
GM-3330	Loudspeaker 100 V
GM-3336	Housing
Art.-N° 546	Spring steel clip (PU 1 pc) 4 units for ceiling installation required if thickness < 8 mm
Colors	NCS or RAL available on request

**Dimensions and fitting (measuring in mm)**

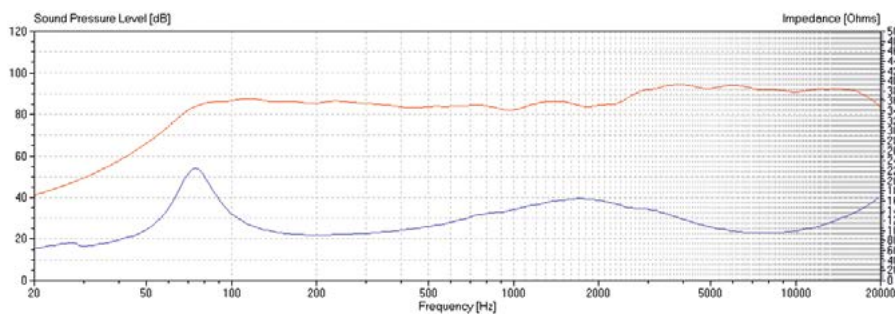
With housing GM-3336



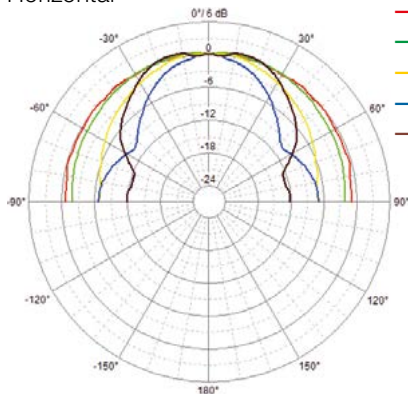
With suspended ceiling



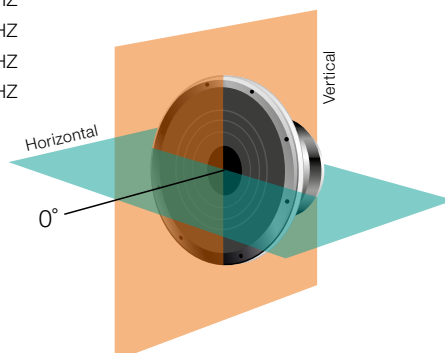
**Frequency response**



Horizontal



- 500 HZ
- 1 kHz
- 2 kHz
- 4 kHz
- 8 kHz



Vertical

