

# GM-3400



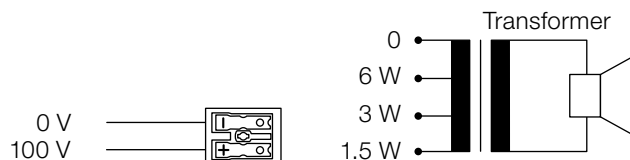
## Features

- Ceiling speaker with round metallic front grill
- 7.5 W loudspeaker, transformer 100 V
- For background music and speech reproduction

## Specifications

Loudspeaker system	1-way
Nominal noise power 100 V	1.5/3/6 W
Nominal impedance 100 V	6666/3333/1666 $\Omega$
Sensitivity (1 W/1 m)	96.5 dB
Maximum SPL (6 W/1 m)	104 dB
Frequency range (-10 dB)	350–10'000 Hz
Coverage angle (-6 dB/1 kHz)	170°(h) × 170°(v)
Dimensions (Ø/Depth)	235/80 mm
Cutout	Ø 195 mm
Weight	1.2 kg
Color	White RAL 9003
Temperature range	-20 °C to ~45 °C
Protection	IP44
Measurement environment	Half-space free-field

## Electrical connection



## Certificates

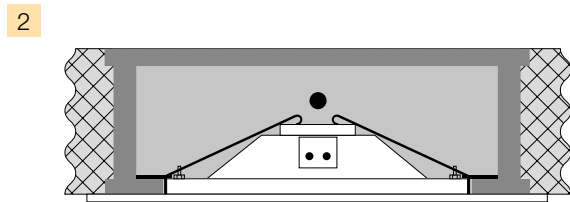
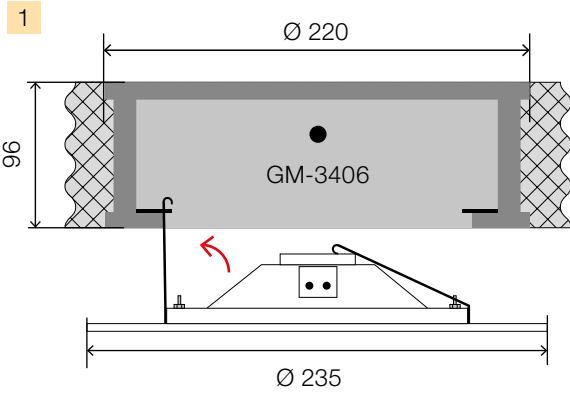
EN 60268-5

## Ordering information | Accessories

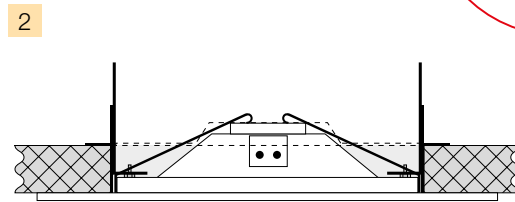
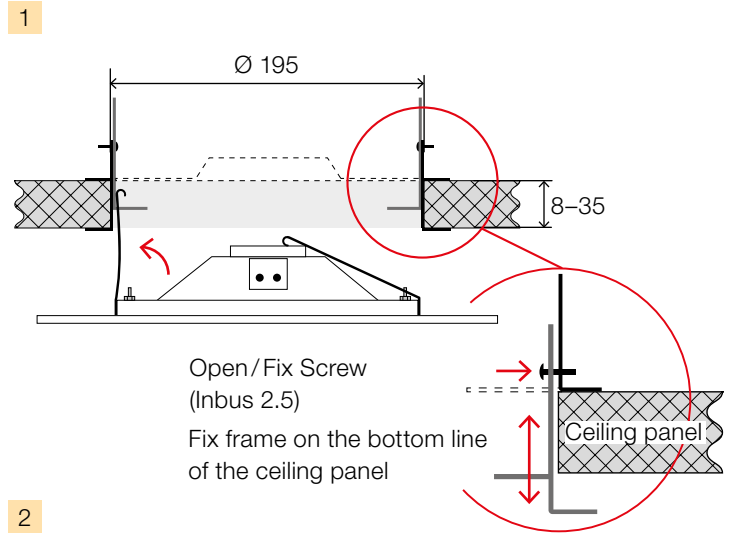
GM-3400	Loudspeaker 100 V
GM-3406	Housing
Colors	NCS or RAL available on request

Dimensions and fitting (measuring in mm)

With housing



With suspended ceiling



Frequency response

