

GM-3405-7179-EN5424



Features

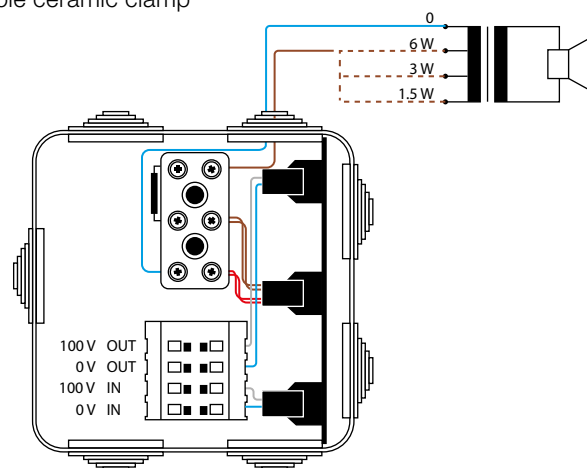
- Ceiling speaker with firedome
- 6 W loudspeaker, transformer 100 V
- EV-Version with ceramic terminal and thermal fuse – no short circuit in case of fire!
- For background music and speech reproduction
- EN 54-24 certified speakers with GM-7179-Box for use with APS-180 LOOP

Specifications

Loudspeaker system	1-way
Nominal noise power 100 V	1.5/3/6 W
Nominal noise power 8 Ω	6 W
Nominal impedance 100 V	6666/3333/1667 Ω
Sensitivity (1 W/1 m)	93.8 dB
Sensitivity (1 W/4 m)	78.9 dB
Maximum SPL (6 W/1 m)	101.6 dB
Maximum SPL (6 W/4 m)	86.7 dB
Frequency range (-10 dB)	340–20'000 Hz
Coverage angle (-6 dB)	H 180°/180°/180°/70°
(0.5/1/2/4 kHz)	V 180°/180°/180°/70°
Dimensions (Ø/Depth)	200/146 mm
Cutout	Ø 172 mm
Material	Iron
Weight	1.3 kg
Color	White RAL 9003
Temperature range	-20°C to ~45°C
Protection	IP44
Measurement environment	Half-space free-field

Electrical connection

blue = 0 V | brown = 100 V
3 pole ceramic clamp



Certificates

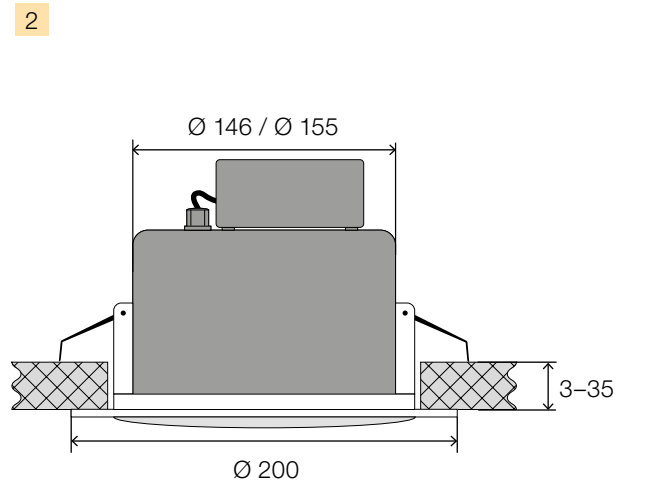
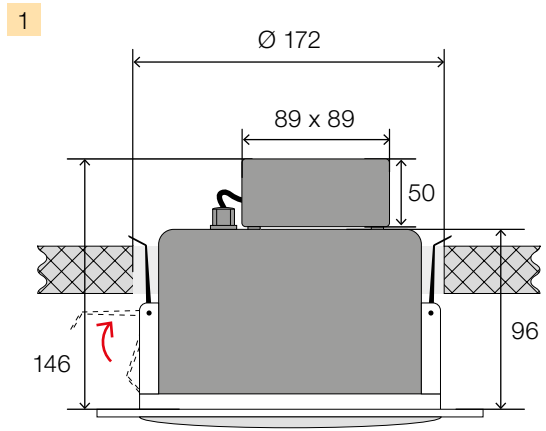
EN 54-24 (1438-CPR-0376) GM-3405-EN5424
EN 54-17 (1438/CPD/0289) GM-7179-Box

Ordering information | Accessories

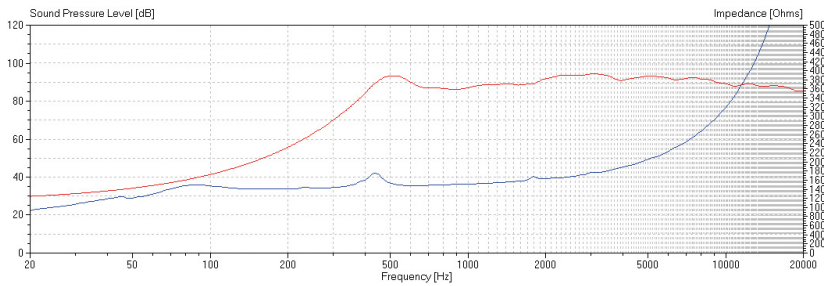
GM-3405-EN5424 Loudspeaker with firedome in accordance to EN 54-24 with GM-7179-Box

Colors NCS or RAL available on request

Dimensions and fitting (measuring in mm)



Frequency response | Polar plot



Sensitivity 100 Hz–10 KHz
1/3 Oct. Pink noise total 1 W/4 m

100 Hz	51 dB	125 Hz	52 dB	160 Hz	49 dB
200 Hz	48 dB	250 Hz	50 dB	315 Hz	53 dB
400 Hz	68 dB	500 Hz	69 dB	630 Hz	63 dB
800 Hz	62 dB	1000 Hz	63 dB	1250 Hz	63 dB
1600 Hz	65 dB	2000 Hz	71 dB	2500 Hz	68 dB
3150 Hz	69 dB	4000 Hz	67 dB	5000 Hz	68 dB
6300 Hz	69 dB	8000 Hz	66 dB	10000 Hz	61 dB

