

GM-3405



Features

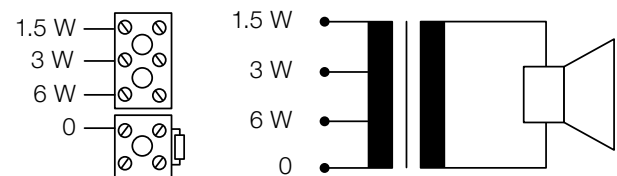
- Ceiling speaker with firedome (fire rated)
- 6 W loudspeaker, transformer 100 V
- For background music and speech reproduction

Specifications

Loudspeaker system	1-way
Nominal noise power 100 V	1.5/3/6 W
Nominal impedance 100 V	6666/3333/1667 Ω
Sensitivity (1 W/1 m)	93.8 dB
Maximum SPL (6 W/1 m)	101.6 dB
Frequency range (-10 dB)	340–20'000 Hz
Abstrahlwinkel (-6 dB)	H 180°/180°/180°/70°
(0.5/1/2/4 kHz)	V 180°/180°/180°/70°
Dimensions (Ø/Depth)	200/130 mm
Cutout	Ø 172 mm
Weight	0.9 kg
Color	White RAL 9003
Temperature range	-20°C to ~45°C
Protection	IP44
Measurement environment	Half-space free-field

Electrical connection

5 pole ceramic clamp



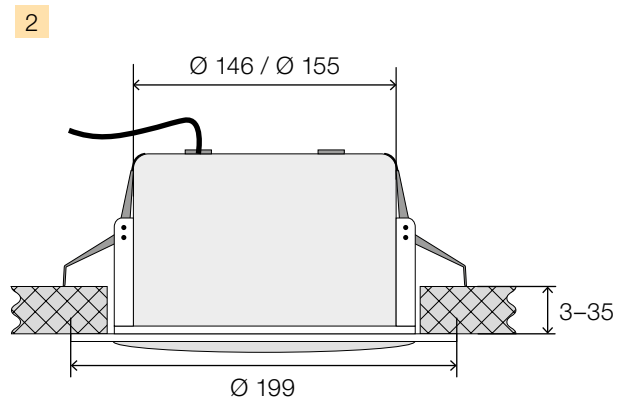
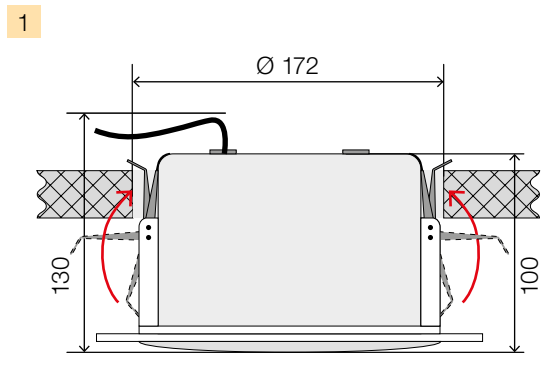
Certificates

EN 60268-5

Ordering information | Accessories

GM-3405	Loudspeaker with firedome (fire rated)
GM-3416	Housing
Colors	NCS or RAL available on request

Dimensions and fitting (measuring in mm)



Frequency response | Polar plot

