

# GM-3410



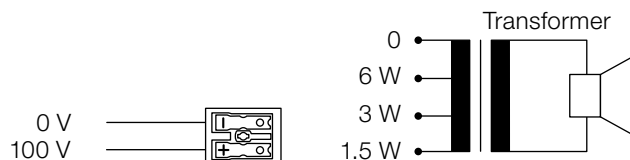
## Features

- Ceiling speaker with round, metallic front grille
- 10 W loudspeaker, transformer 100 V
- For background music and speech reproduction

## Specifications

Loudspeaker system	2-way coaxial
Nominal noise power 100 V	1.5/3/6 W
Nominal impedance 100 V	6666/3333/1666 $\Omega$
Sensitivity (1 W/1 m)	93 dB
Maximum SPL (6 W/1 m)	102 dB
Frequency range (-10 dB)	350–20'000 Hz
Coverage angle (-6 dB/1 kHz)	165° (h) × 165° (v)
Dimensions (Ø/Depth)	235/90 mm
Cutout	Ø 195 mm
Weight	1.6 kg
Color	White RAL 9003
Temperature range	-20°C to ~45°C
Protection	IP44
Measurement environment	Half-space free-field

## Electrical connection



## Certificates

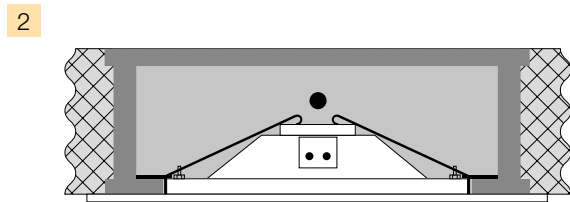
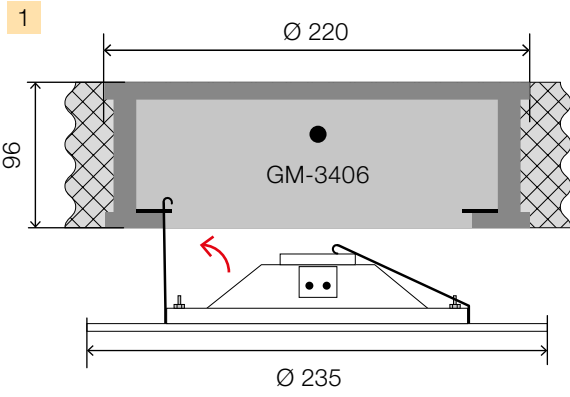
EN 60268-5

## Ordering information | Accessories

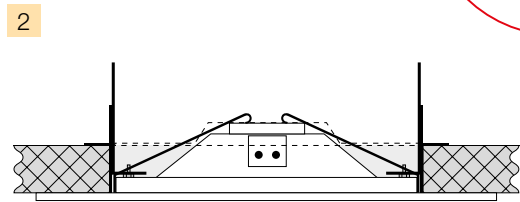
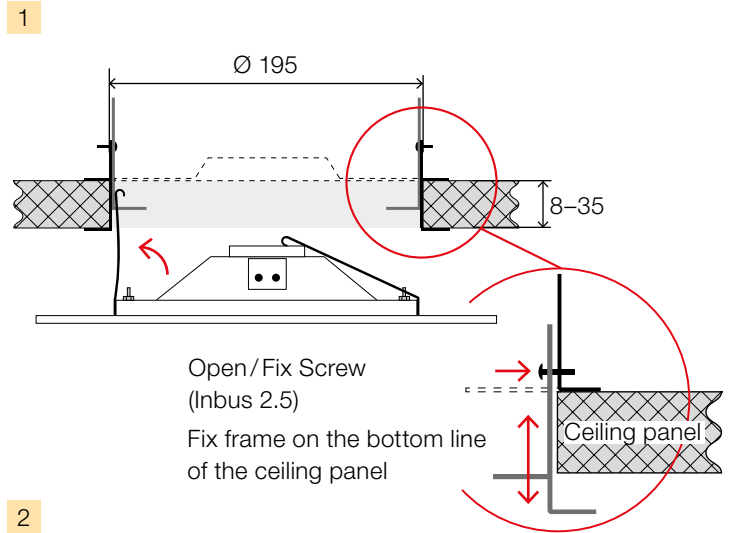
GM-3410	Loudspeaker 100 V
GM-3406	Housing
Colors	NCS or RAL available on request

**Dimensions and fitting (measuring in mm)**

With housing



With suspended ceiling



**Frequency response**

