

GM-3440-EN5424-AB



Features

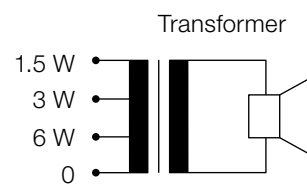
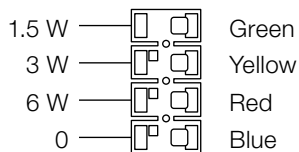
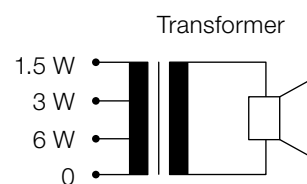
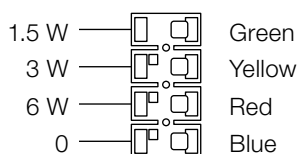
- Ceiling speaker with fire dome
- 6 W loudspeaker, transformer 100 V (2 Transformers)
- Two autonomous supply lines enable the feed-in to the loudspeaker
- For music and voice reproduction

Specifications

Loudspeaker system	2 × 1-way
Nominal noise power 100 V	1.5/3/6 W
Sensitivity (1 W/1 m)	99.0 dB
Sensitivity (1 W/4 m)	73.0 dB single 79.0 dB double
Maximum SPL (6 W/1 m)	106.0 dB
Maximum SPL (6 W/4 m)	81.0 dB single 87.0 dB double
Frequency range (-10 dB)	120–20'000 Hz
Coverage angle (-6 dB)	H 180°/180°/132°/71° V 180°/180°/132°/71°
Dimensions (Ø/D)	Ø 240/108 mm
Cutout	Ø 220
Material	Metal
Weight	1.9 kg
Color	White RAL 9010
Temperature range	-20 °C to ~45 °C
Protection	IP44
Measurement environment	Half-space free-field

Electrical connection

2 × 4 pole clamp



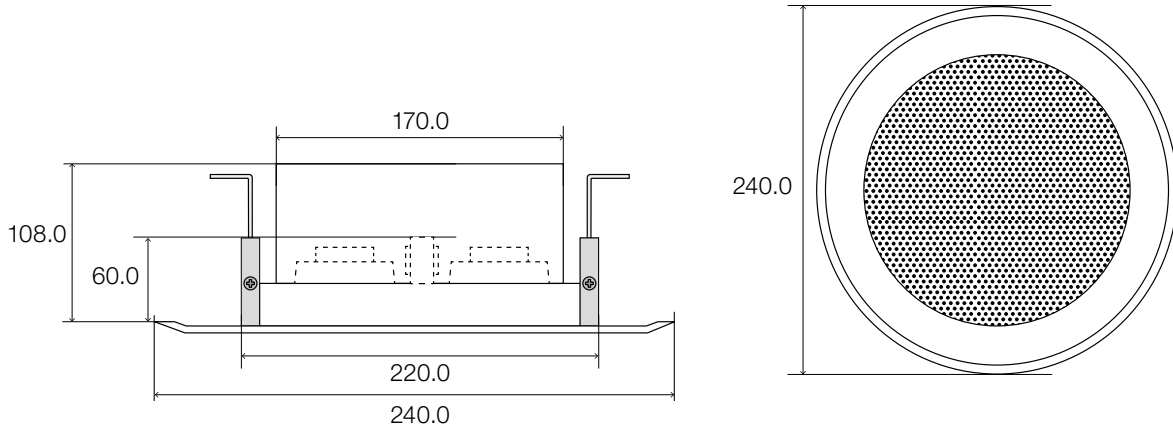
Certificates

EN 54-24 (1293-CPD-0368)

Ordering information | Accessories

GM-3440-EN5424	Loudspeaker accordance to EN 54-24
GM-3446	Housing
Colors	NCS or RAL available on request

Dimensions and fitting (measuring in mm)



Frequency response | Polar plot

