

# GM-3510



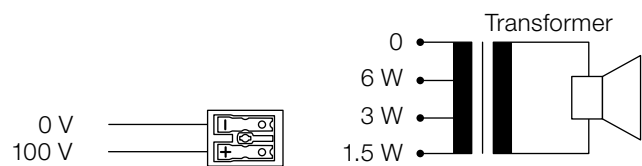
## Features

- Ceiling speaker with square, metallic front grille
- 10 W, 2-way coaxial-chassis, transformer 100 V
- Optionally available with weatherproof housing
- The 2-way high-performance system provides a very good music and voice reproduction

## Specifications

Loudspeaker system	2-way coaxial
Nominal noise power 100 V	1.5/3/6 W
Nominal impedance 100 V	6666/3333/1666 Ω
Sensitivity (1 W/1 m)	93 dB
Maximum SPL (6 W/1 m)	102 dB
Frequency range (-10 dB)	350–20'000 Hz
Coverage angle (-6 dB/1 kHz)	165° (h) × 165° (v)
Dimensions (W x H x D)	230 × 230 × 90 mm
Cutout	Ø 195 mm
Weight	1.6 kg
Color	White RAL 9003
Temperature range	-20 °C to ~45 °C
Protection	IP44
Measurement environment	Half-space free-field

## Electrical connection



## Certificates

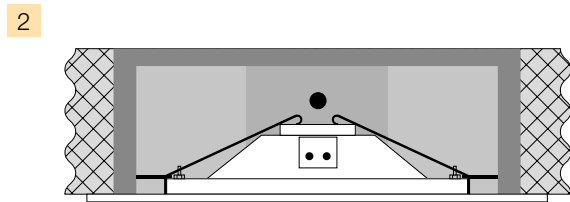
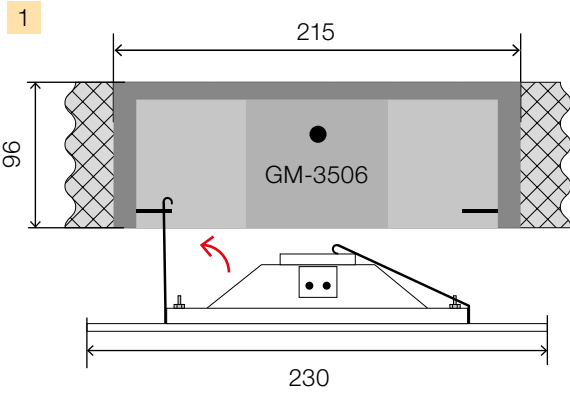
EN 60268-5

## Ordering information | Accessories

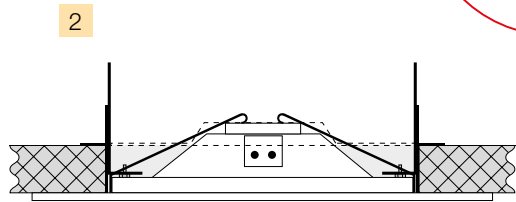
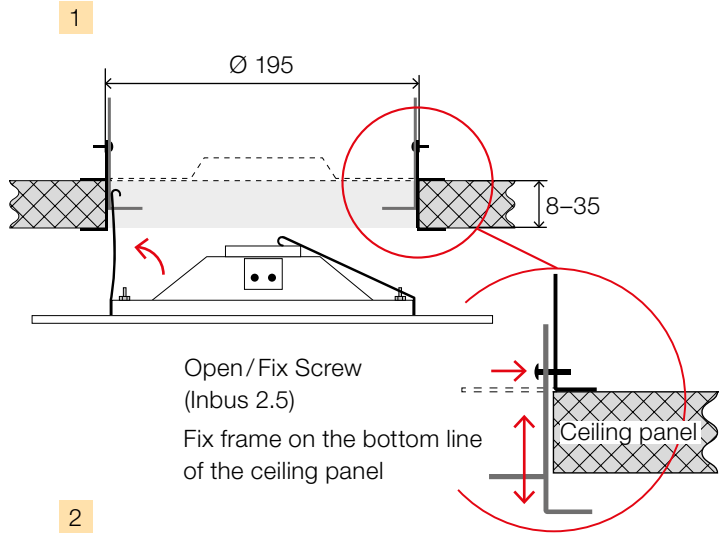
GM-3510	Loudspeaker 100 V
GM-3506	Housing
Colors	NCS or RAL available on request

Dimensions and fitting (measuring in mm)

With housing



With suspended ceiling



Frequency response

