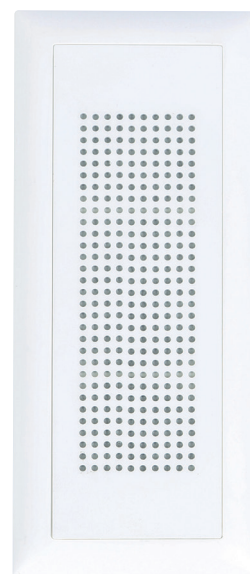
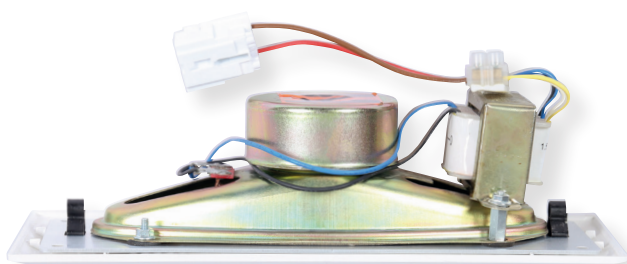


GM-3550



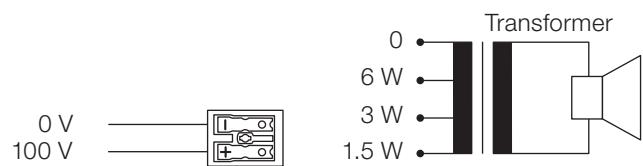
Features

- Ceiling speaker with square, plastic front grille
- EDIZIO cover size 1-1-1
- Suitable for flush-mounted box size 1-1-1
- Wall mounted version available
- For background music and speech reproduction

Specifications

| | |
|------------------------------|-----------------------|
| Loudspeaker system | 1-way |
| Nominal noise power 100 V | 1.5/3/6 W |
| Nominal impedance 100 V | 6666/3333/1661 Ω |
| Sensitivity (1 W/1 m) | 88.5 dB |
| Maximum SPL (6 W/1 m) | 97 dB |
| Frequency range (-10 dB) | 200-20'000 Hz |
| Coverage angle (-6 dB/1 kHz) | 100° (h) × 150° (v) |
| Dimensions (W × H × D) | 88 × 208 × 70 mm |
| Cutout | See backside |
| Weight | 0.55 kg |
| Color | White |
| Temperature range | -20°C to ~45°C |
| Protection | IP44 |
| Measurement environment | Half-space free-field |

Electrical connection



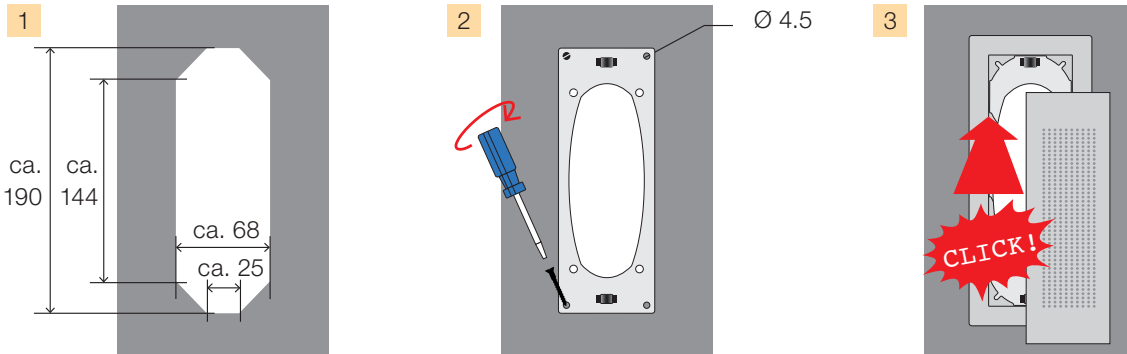
Certificates

EN 60268-5

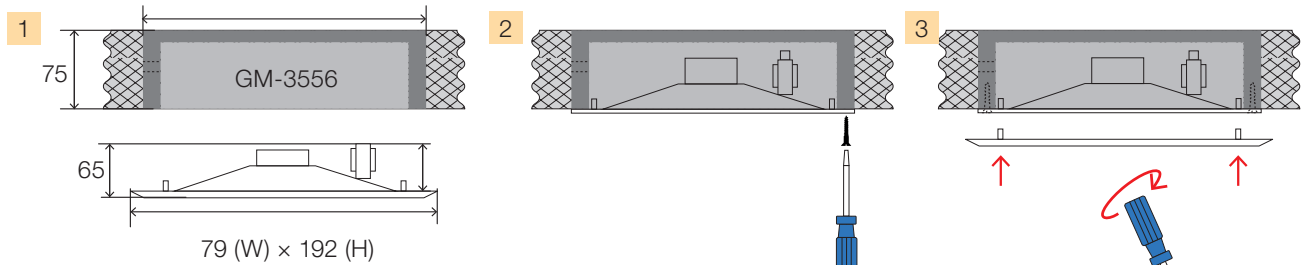
Ordering information | Accessories

| | |
|--------------------|----------------------------------|
| GM-3550 | Loudspeaker 100 V |
| GM-3556 | Housing |
| GM-3550-ED-AP | Wall mounted version |
| Colors | NCS or RAL available on request |
| Cavity wall socket | e.g. type HSB-Weibel 372 603 776 |

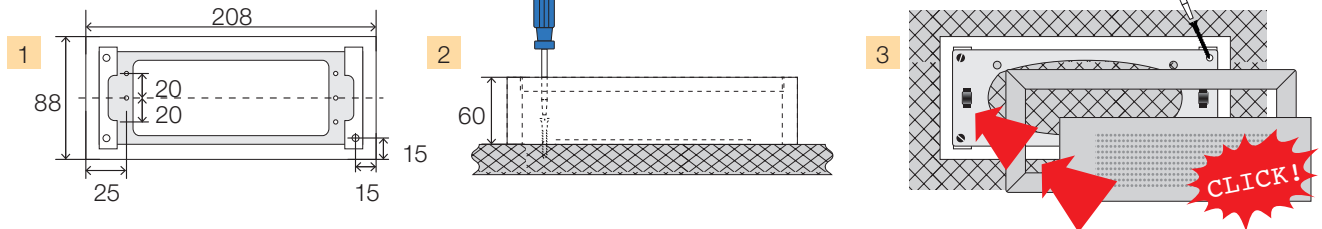
Dimensions and fitting (measuring in mm)



With housing



Wall mounted



Frequency response

