

# GM-4561-EN54

- Vandal-proof
- Aluminium housing
- BS 5839

The 10 W powered speaker is equipped with two 130 mm full-range loudspeakers and a 100 V line transformer with four power adjustments.

A robust powder coated aluminum housing in RAL 9010, and a vandal-resistant feet ensure a permanent installation of this speaker. For additional reliability, a 2 pincer ceramic block and a thermal fuse is provided and the speaker chassis is impregnated against wetness.

The speaker is also secured with the high protection class IP65 against the risks of environmental influences.

Perfectly suitable for the installation in corridors and hallways. The speaker is compliant with the British Standard BS 5839, Part 8.

Special paint of the speaker in 4-digit RAL- or NCS- colour available at extra cost.

## Technical data

### Electric

Power	10/6/3/1.5 W
Impedance	1000/1667/3333/6667 Ω
Frequency range	237–22'200 Hz
Frequency response	79–17'500 Hz
SPL 1 W/1 m	95.3 dB
SPL 1 W/4 m	83.5 dB
SPL Pmax/4 m	93.3 dB
Sensitivity EN 54-24, 1 W/4 m	77.6 dB
Dispersion -6 dB, 500 Hz	130°
Dispersion -6 dB, 1 KHz	150°
Dispersion -6 dB, 2 KHz	145°
Dispersion -6 dB, 4 KHz	75°

### Mechanic

Dimensions (H × W × D)	166 × 197 × 161 mm
Weight	2.35 kg
Temperature range	-20 °C to +80 °C
Standard color	RAL 9010
Special colors	RAL or NCS
Mounting	Screws
Connector	2-pin ceramic block
Maximum cable cross section	8 mm <sup>2</sup>
Max. cable cross section loop	2 × 2 mm <sup>2</sup>
Protection	IP65 for flush mounting, otherwise IP40
Certificate	EN 54-24



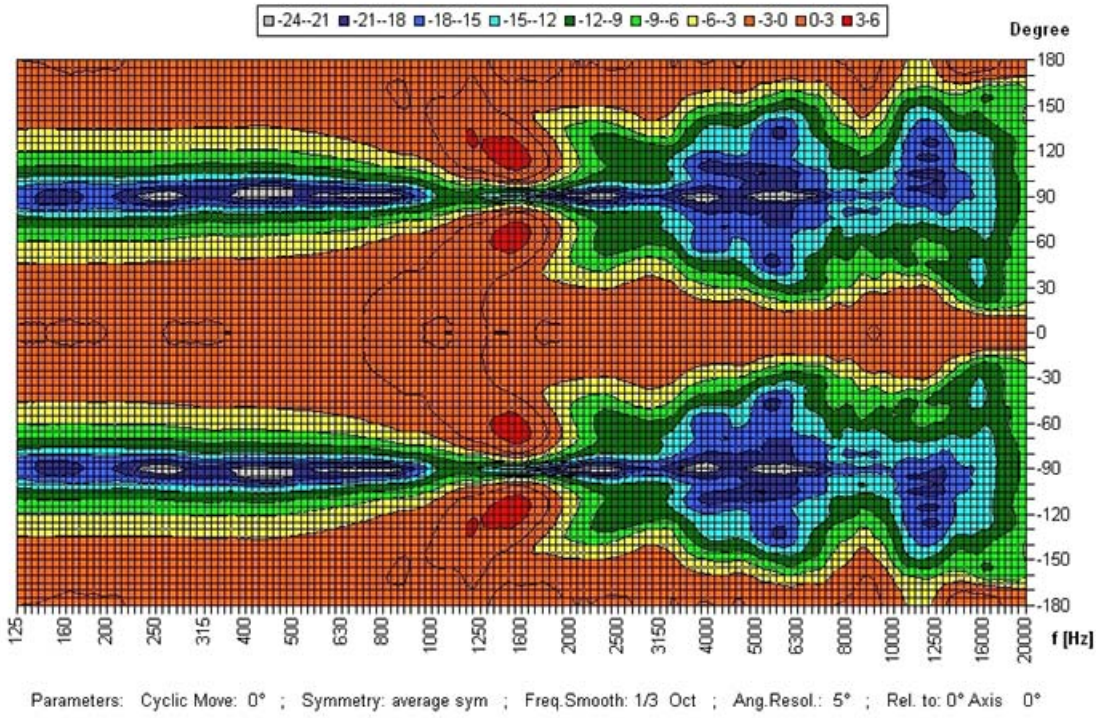
EN 54-24:2008

1438-CPR-0234

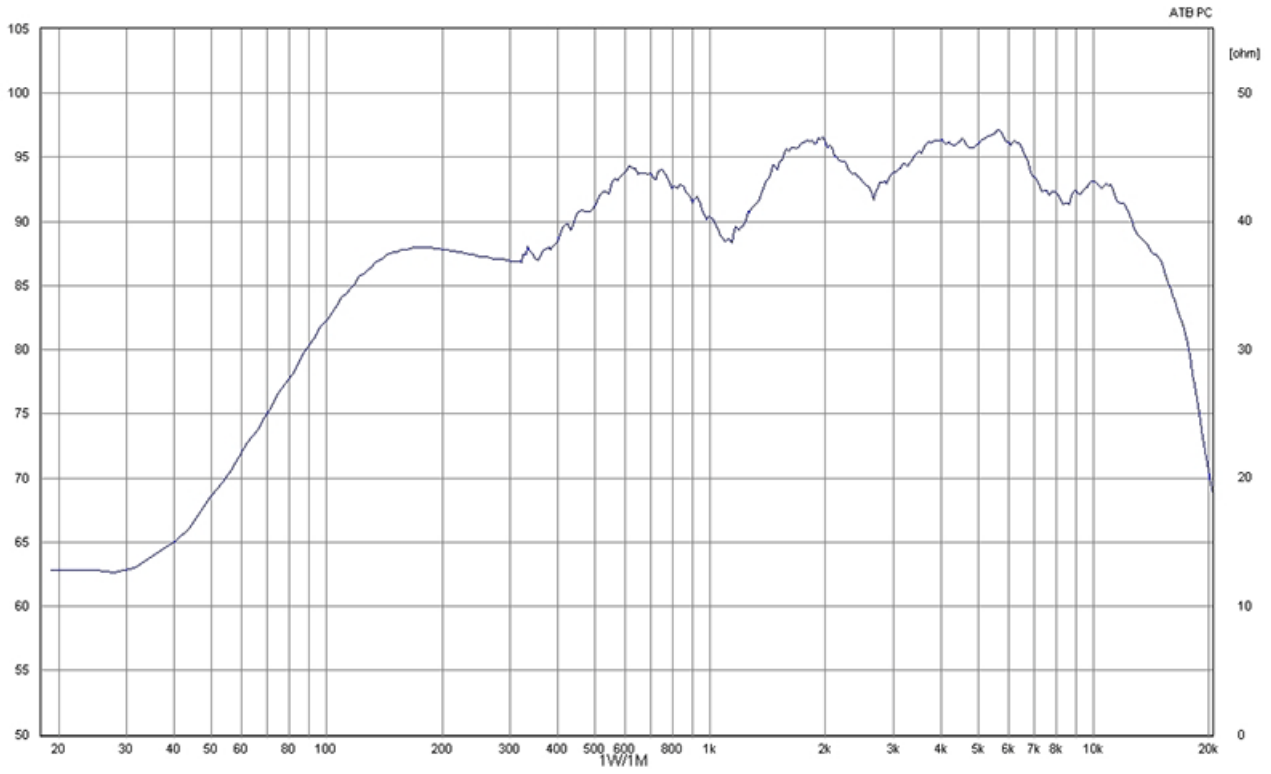
g+m elektronik ag, Bürerfeld 12,  
CH-9245 Oberbüren, Switzerland

CE-Symbol according 93/68EWG

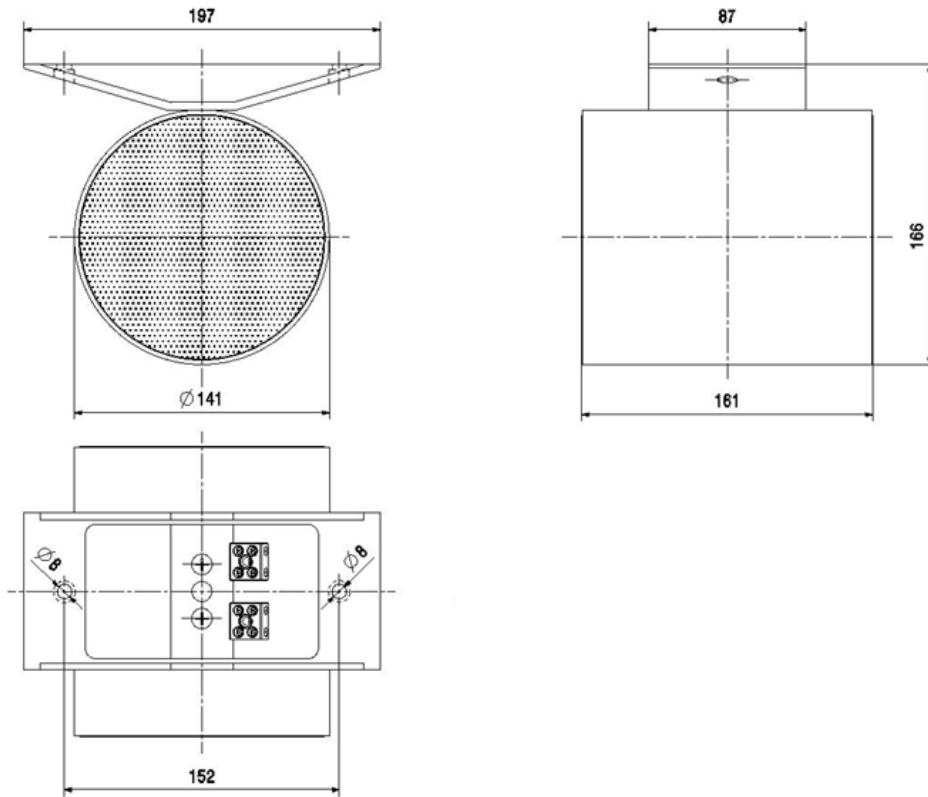
Polar plot



Frequency response



Dimensions in mm



Information

Loudspeakers from g+m elektronik ag are tested and classified according to the IEC standard 60529 (degree of protection by enclosure) against the penetration of foreign objects and moisture. The classification is conforming to standards through characterization with a fixed code. This code consists of the letters IP (International Protection) followed by two digits. The first digit indicates the degree of protection against dust and the second digit the degree of protection against water. Please note that the testing of the products has been carried out in laboratory conditions which are not always 100% comparable with the conditions of different installation environments. This protection can be reduced due to normal wear and tear depending on the installation environment. Therefore our warranty does not cover any damage caused by liquids.

Measurements according to DIN IEC 268-5 | RoHS compliant (2011/65/EU).

The IP rating specified is based on g+m elektronik ag test results, not on CNBOP-PIB test results. Certification only verifies the minimum requirements for EN 54-24 compliance.