

GM-5020-EN5424



Features

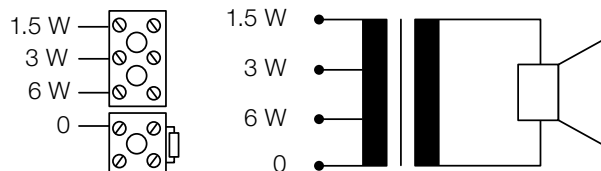
- Square cabinet speaker with metal housing
- 10 W loudspeaker, transformer 100 V
- Easy mounting solution for wall and ceiling
- Very good music and voice reproduction

Specifications

Loudspeaker system	2-way, coaxial
Nominal noise power 100 V	1.5/3/6 W
Nominal impedance 100 V	6667/3333/1667 Ω
Sensitivity (1 W/1 m)	92.2 dB
Sensitivity (1 W/4 m)	75.5 dB
Maximum SPL (6 W/1 m)	100.0 dB
Maximum SPL (6 W/4 m)	83.3 dB
Frequency range (-10 dB)	190–19'000 Hz
Coverage angle (-6 dB)	H 145°/95°/45°
(0.5/1/2/4 kHz)	V 145°/95°/45°
Dimensions (W × H × D)	195 × 195 × 80 mm
Material	Metal
Weight	2.6 kg
Colour	White RAL 9003
Temperature range	-20°C to ~45°C
Protection	IP44
Measurement environment	Free-field


Electrical connection

black = 0 | blue = 6 W | white = 3 W | yellow = 1.5 W



Certificates

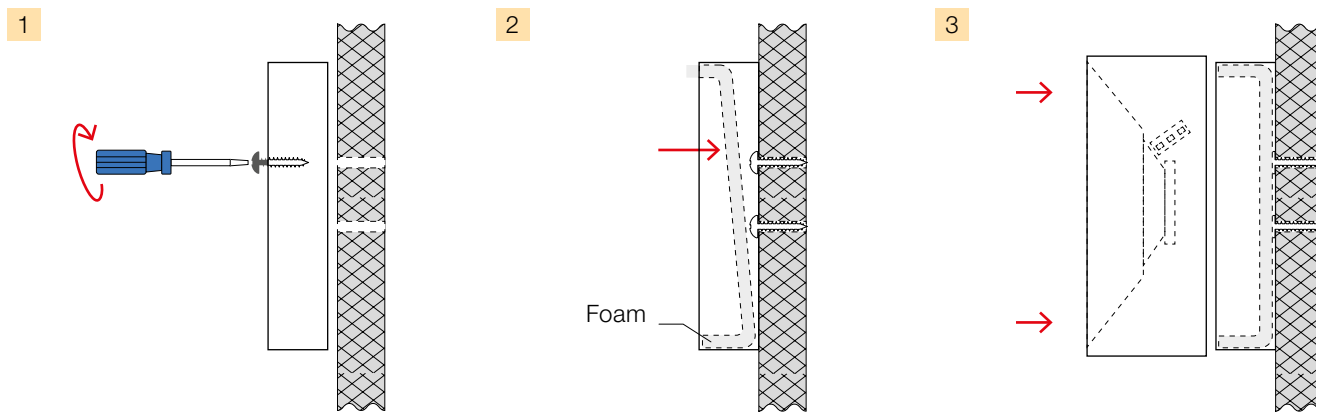
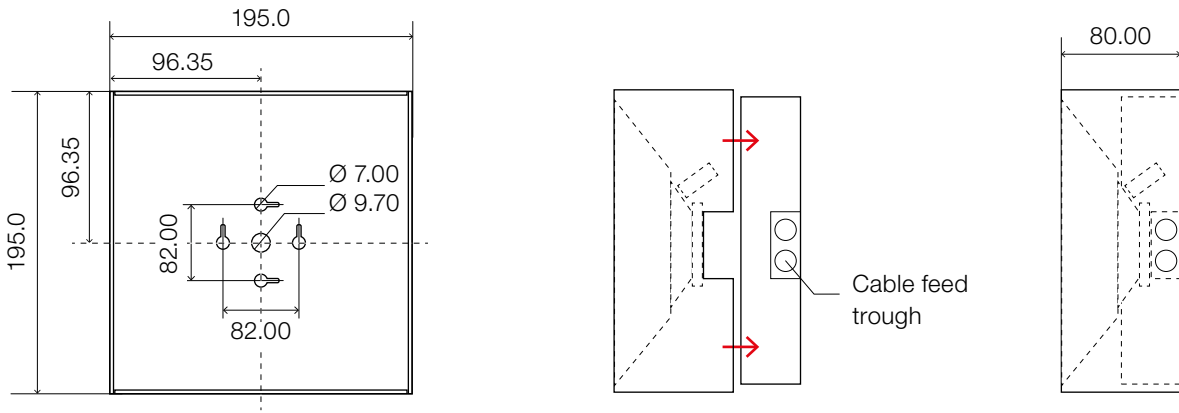
EN 60268-5

 1438
g+m elektronik ag Buererfeld 12, CH-9245 Oberbüren, Switzerland 16 1438-CPR-0487
EN 54-24:2008 Loudspeaker for voice alarm systems For fire detection and fire alarm systems for buildings Cabinet loudspeaker 6 W and accessories GM-5020-EN5424 Type B

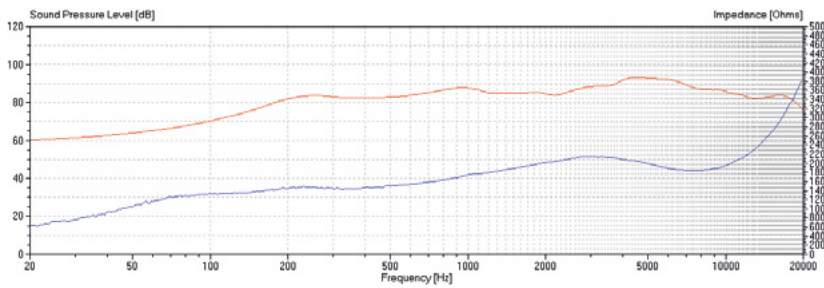
Ordering information | Accessories

GM-5020-EN5424	Loudspeaker EN 54-24, white
GM-5020-SW-EN5424	Loudspeaker EN 54-24, black
Colors	NCS or RAL available on request

Dimensions and fitting (measuring in mm)



Frequency response



Sensitivity 100 Hz–10 KHz
1/3 Oct. Pink noise total 1 W/4 m

100 Hz	38 dB	125 Hz	45 dB	160 Hz	51 dB
200 Hz	56 dB	250 Hz	58 dB	315 Hz	57 dB
400 Hz	57 dB	500 Hz	58 dB	630 Hz	59 dB
800 Hz	61 dB	1000 Hz	61 dB	1250 Hz	59 dB
1600 Hz	61 dB	2000 Hz	61 dB	2500 Hz	60 dB
3150 Hz	63 dB	4000 Hz	69 dB	5000 Hz	69 dB
6300 Hz	67 dB	8000 Hz	61 dB	10000 Hz	58 dB

