

# GM-5600



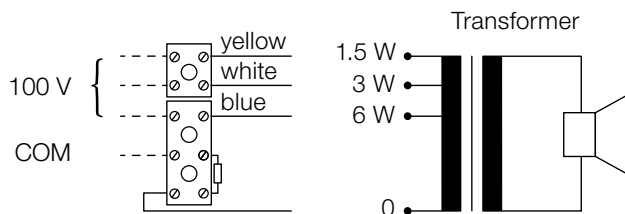
## Features

- Rectangular cabinet speaker with MDF-wood housing
- 6 W loudspeaker, transformer 100 V
- Prepared cable feedthrough for simple snap and screw mounting
- For music and voice reproduction

## Specifications

|                           |                       |
|---------------------------|-----------------------|
| Loudspeaker system        | 1-way                 |
| Nominal noise power 100 V | 1.5/3/6 W             |
| Nominal impedance 100 V   | 6667/3333/1667 Ω      |
| Sensitivity (1 W/1 m)     | 95.4 dB               |
| Maximum SPL (6 W/1 m)     | 103.2 dB              |
| Frequency range (-10 dB)  | 185–20'000 Hz         |
| Coverage angle (-6 dB)    | H 180°/70°/110°/60°   |
| (0.5/1/2/4 kHz)           | V 180°/80°/100°/50°   |
| Dimensions (W × H × D)    | 192 × 252 × 82 mm     |
| Material                  | MDF wood housing      |
| Weight                    | 1.8 kg                |
| Color                     | White RAL 9003        |
| Temperature range         | -20 °C to ~45 °C      |
| Protection                | IP44                  |
| Measurement environment   | Half-space free-field |

## Electrical connection



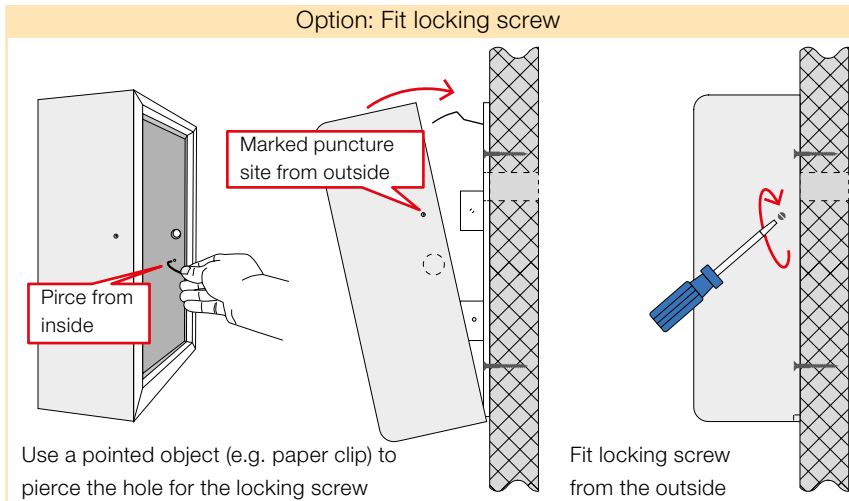
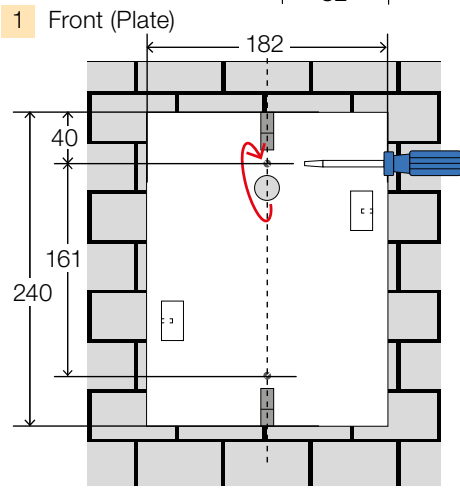
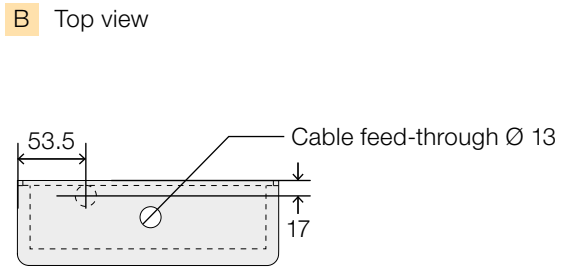
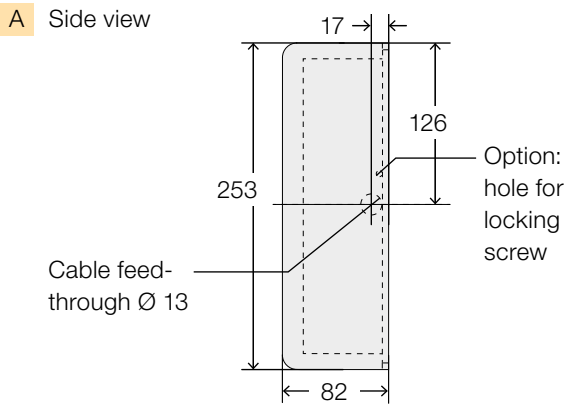
## Certificates

EN 60268-5

## Ordering information | Accessories

|            |                                 |
|------------|---------------------------------|
| GM-5600    | Loudspeaker white, 100 V        |
| GM-5600-SW | Loudspeaker black, 100 V        |
| Colors     | NCS or RAL available on request |

**Dimensions and fitting (in mm)**



**Frequency response | Polar plot**

