

# GM-5620-EN54



With GM-5620-FRAME



Without GM-5620-FRAME



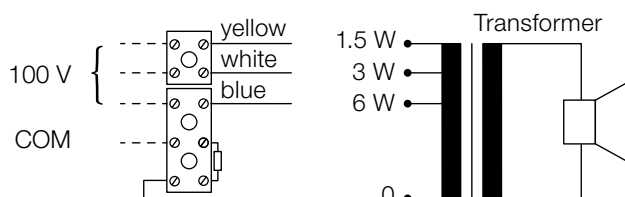
## Features

- Rectangular metal loudspeaker for surface and flush mounting
- 6 W loudspeaker, transformer 100 V
- Prepared cable feed through
- With ceramic terminal and thermal fuse
- For music and voice reproduction

## Specifications

Loudspeaker system	1-way
Nominal noise power 100 V	1.5/3/6 W
Nominal impedance 100 V	6667/3333/1667 Ω
Sensitivity (1 W/1 m)	93.8 dB
Sensitivity (1 W/4 m)	84.8 dB
Maximum SPL (6 W/1 m)	101.1 dB
Maximum SPL (6 W/4 m)	92.6 dB
Frequency range (-10 dB)	262–15'838 Hz
Coverage angle (-6 dB)	H 360°/160°/85°/70°
(0.5/1/2/4 kHz)	V 270°/130°/110°/55°
Magnet	10'500 Gs
Dimensions (W × H × D)	194.4 × 260 × 79.6 mm
Material	Metal
Weight	2.65 kg
Color	White RAL 9003
Temperature range	-20 °C to +45 °C
Protection	IP44
Measurement environment	Free-field


## Electrical connection



## Safety instruction

The line must be powerless before the speaker is connected

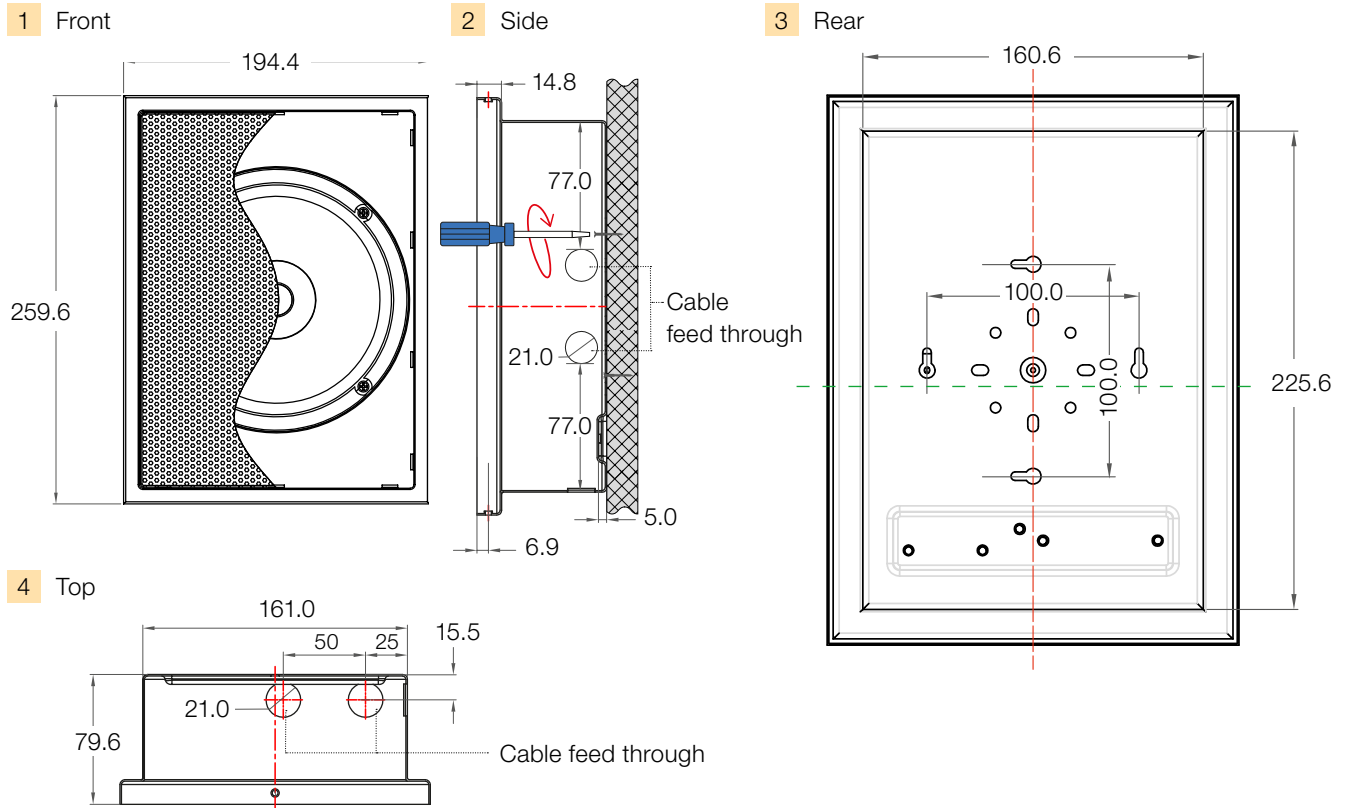
## Certificates

 1438
g+m elektronik ag Buererfeld 12, CH-9245 Oberbüren, Switzerland 21 1438-CPR-0795
EN 54-24:2008 Loudspeaker for voice alarm systems For fire detection and fire alarm systems for buildings Cabinet loudspeaker 6 W and accessories GM-5620-EN54 Type B

## Ordering information | Accessories

GM-5620-EN54	Loudspeaker accordance to EN 54-24
GM-5620-FRAME	Metal frame
Colors	NCS or RAL available on request

**Dimensions (in mm), installation and maintenance instructions**



**Frequency response | Polar plot**

