

# GM-6030-EN5424



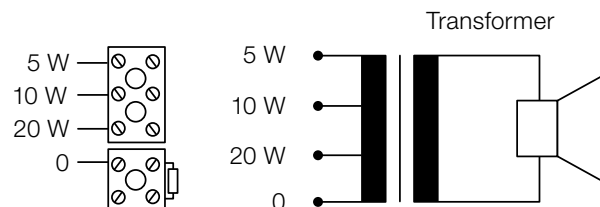
## Features

- Sound projector, 20 W, transformer 100 V
- Mounting plastic housing
- Incl. mounting brackets for wall or ceiling mounting
- The tweeter ensures good music and speech reproduction


## Specifications

Loudspeaker system	1-way, tweeter dome
Nominal noise power 100 V	5 / 10 / 20 W
Nominal impedance 100 V	2000 / 1000 / 500 $\Omega$
Sensitivity (1 W / 1 m)	87.2 dB
Sensitivity (1 W / 4 m)	77.1 dB
Maximum SPL (20 W / 1 m)	100.2 dB
Maximum SPL (20 W / 4 m)	90.2 dB
Frequency range (-10 dB)	120–15'600 Hz
Coverage angle (-6 dB)	H 360°/220°/110°/60° V 360°/220°/110°/60°
Dimensions (Ø/Depth)	138/203 mm
Material	ABS 765A housing
Weight	1.5 kg
Color	White RAL 9003
Temperature range	-20 °C to ~60 °C
Protection	IP55
Measurement environment	Free-field

## Electrical connection



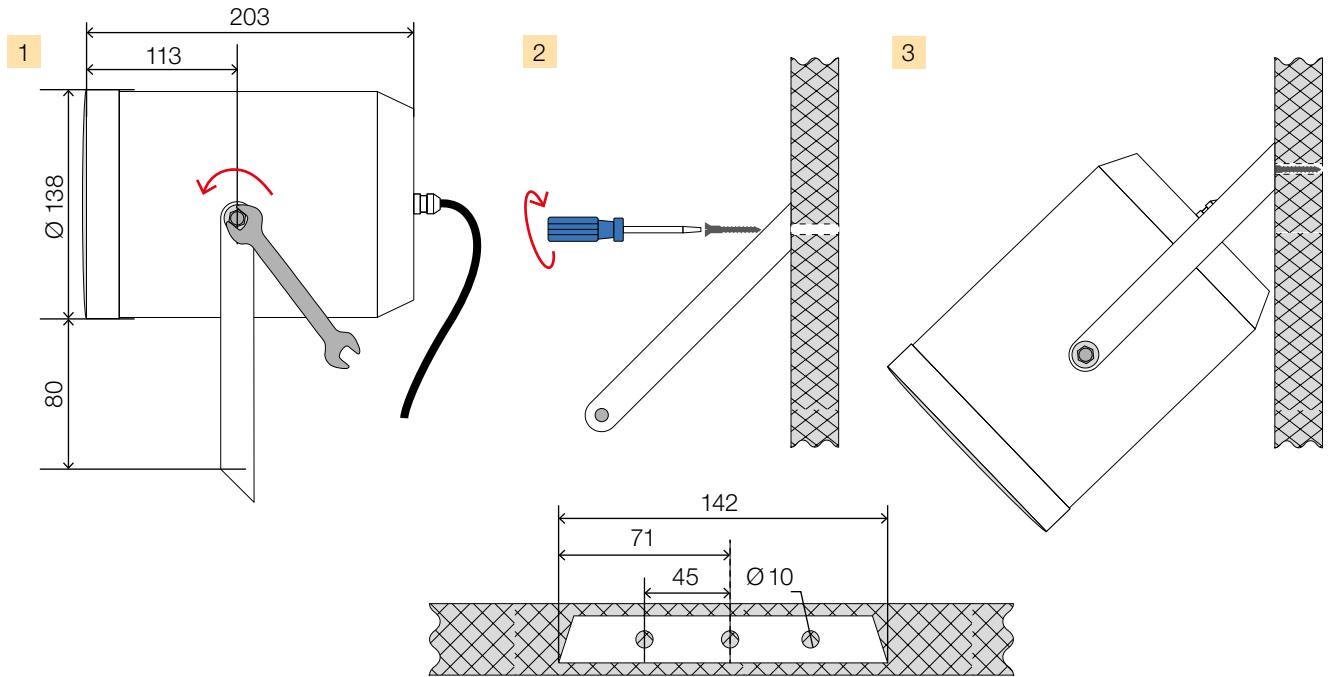
## Certificates

 1438
g+m elektronik ag Buererfeld 12, CH-9245 Oberbüren, Switzerland 14 1438-CPR-0381
EN 54-24:2008 Loudspeaker for voice alarm systems For fire detection and fire alarm systems for buildings Projector loudspeaker 20 W and accessories GM-6030-EN5424 Type B

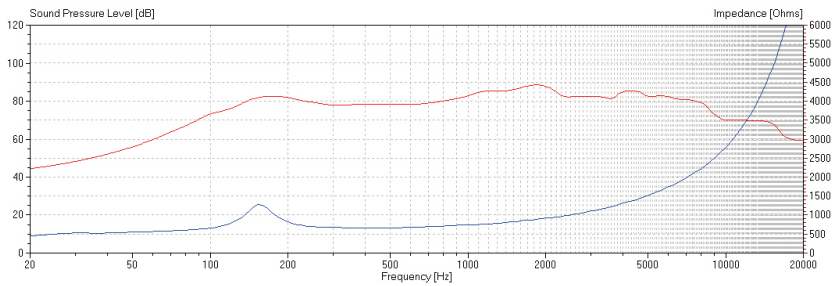
## Ordering information | Accessories

GM-6030-EN5424	Loudspeaker accordance to EN 54-24
Colors	NCS or RAL available on request

**Dimensions and fitting (measuring in mm)**



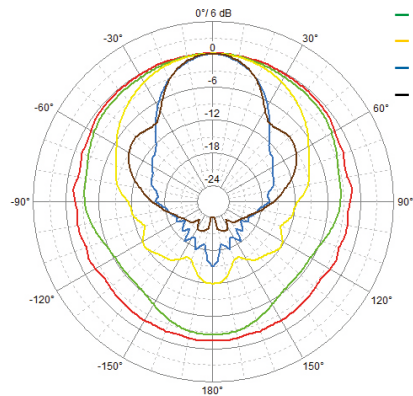
**Frequency response | Polar plot**



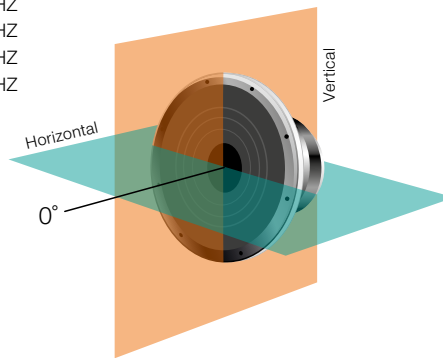
Sensitivity 100 Hz–10 KHz  
1/3 Oct. Pink noise total 1 W/4 m

100 Hz	49 dB	125 Hz	56 dB	160 Hz	61 dB
200 Hz	62 dB	250 Hz	61 dB	315 Hz	59 dB
400 Hz	60 dB	500 Hz	60 dB	630 Hz	60 dB
800 Hz	62 dB	1000 Hz	65 dB	1250 Hz	67 dB
1600 Hz	69 dB	2000 Hz	70 dB	2500 Hz	64 dB
3150 Hz	64 dB	4000 Hz	67 dB	5000 Hz	65 dB
6300 Hz	63 dB	8000 Hz	61 dB	10000 Hz	50 dB

Horizontal



- 500 HZ
- 1 kHz
- 2 kHz
- 4 kHz
- 8 kHz



Vertical

