

GM-6030



Features

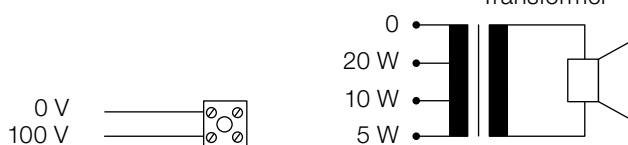
- Sound projector
- 20 W, transformer 100 V
- Mounting plastic housing
- Incl. mounting brackets for wall or ceiling mounting
- The tweeter ensures good music and speech reproduction

Specifications

Loudspeaker system	1-way, tweeter dome
Nominal noise power 100 V	5/10/20 W
Nominal impedance 100 V	2000/1000/500 Ω
Sensitivity (1 W/1 m)	87.2 dB
Maximum SPL (20 W/1 m)	100.2 dB
Frequency range	120–15'600 Hz
Coverage angle (-6 dB)	H 360°/220°/110°/60° V 360°/220°/110°/60°
Dimensions (Ø/Depth)	138/203 mm
Material	ABS 765A housing
Weight	1.5 kg
Color	White RAL 9003
Temperature range	-20 °C to ~60 °C
Protection	IP55
Measurement environment	Free-field

Electrical connection

black = 0 V yellow = 20 W blue = 10 W red = 5 W



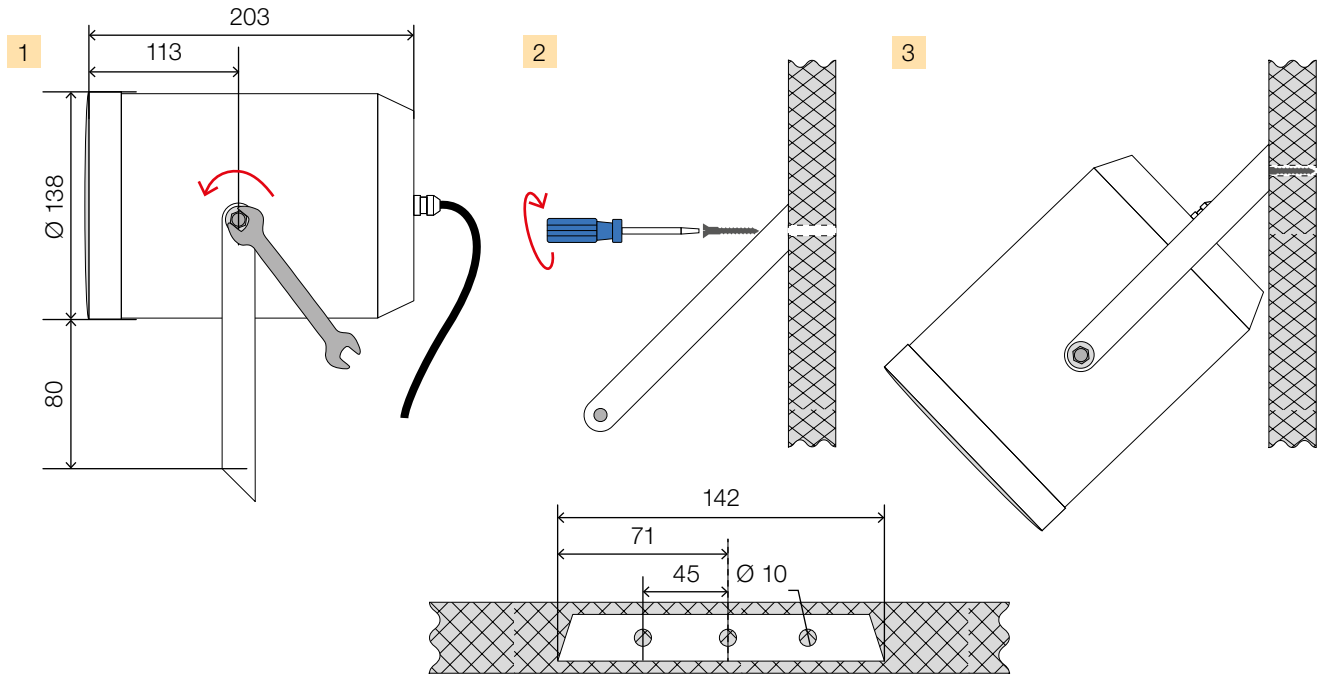
Certificates

EN 60268-5

Ordering information | Accessories

GM-6030	Loudspeaker 100 V
Colors	NCS or RAL available on request

Dimensions and fitting (measuring in mm)



Frequency response | Polar plot

