

GM-6040-EN5424



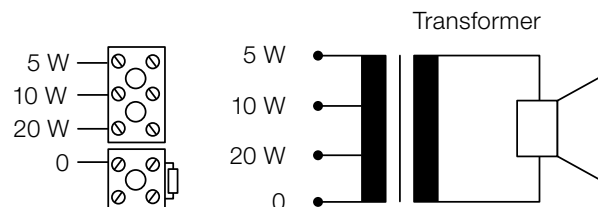
Features

- Sound projector, 20 W, 100 V transformer
- Mounting plastic housing
- Incl. mounting brackets for wall or ceiling mounting
- The tweeter ensures good music and speech reproduction


Specifications

Loudspeaker system	2-way coaxial
Nominal noise power 100 V	5 / 10 / 20 W
Nominal impedance 100 V	2000 / 1000 / 500 Ω
Sensitivity (1 W / 1 m)	91.2 dB
Sensitivity (1 W / 4 m)	80 dB
Maximum SPL (20 W / 1 m)	104.3 dB
Maximum SPL (20 W / 4 m)	93.1 dB
Frequency range (-10 dB)	120–15'700 Hz
Coverage angle (-6 dB)	H 360°/200°/105°/60°
(0.5/1/2/4 kHz)	V 360°/200°/105°/60°
Dimensions (Ø/Depth)	176/252 mm
Material	ABS 765A housing
Weight	2.4 kg
Color	White RAL 9003
Temperature range	-20° C to ~60° C
Protection	IP55
Measurement environment	Free-field

Electrical connection



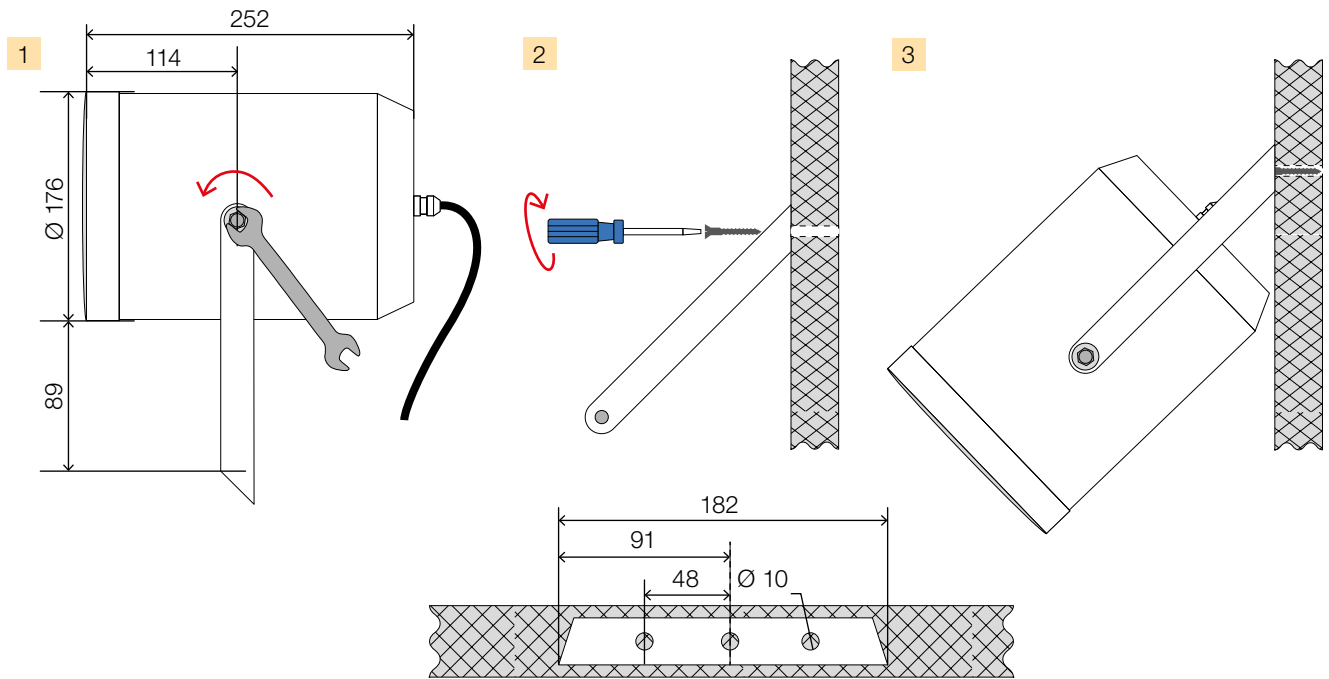
Certificates

 1438
g+m elektronik ag Buererfeld 12, CH-9245 Oberbüren, Switzerland 14 1438-CPR-0380
EN 54-24:2008 Loudspeaker for voice alarm systems For fire detection and fire alarm systems for buildings Projector loudspeaker 20 W and accessories GM-6040-EN5424 Type B

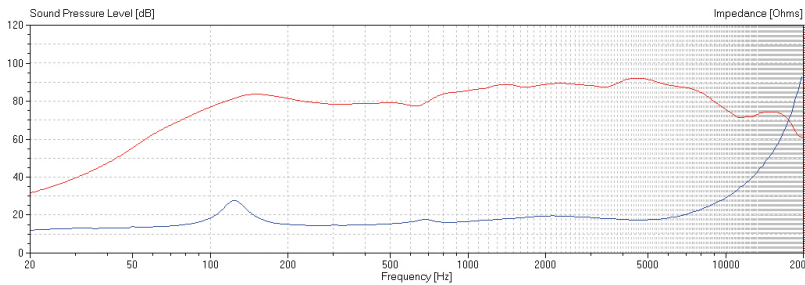
Ordering information | Accessories

GM-6040-EN5424	Loudspeaker accordance to EN 54-24
Colors	NCS or RAL available on request

Dimensions and fitting (measuring in mm)



Frequency response | Polar plot



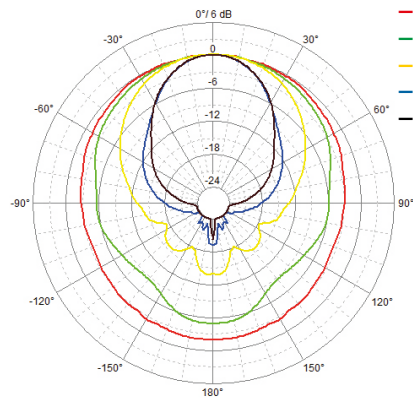
Sensitivity 100 Hz–10 KHz
1/3 Oct. Pink noise total 1 W/4 m

100 Hz	52 dB	125 Hz	59 dB	160 Hz	62 dB
200 Hz	61 dB	250 Hz	60 dB	315 Hz	59 dB
400 Hz	59 dB	500 Hz	61 dB	630 Hz	62 dB
800 Hz	65 dB	1000 Hz	67 dB	1250 Hz	68 dB
1600 Hz	69 dB	2000 Hz	70 dB	2500 Hz	70 dB
3160 Hz	69 dB	4000 Hz	72 dB	5000 Hz	72 dB
6300 Hz	69 dB	8000 Hz	65 dB	10000 Hz	55 dB

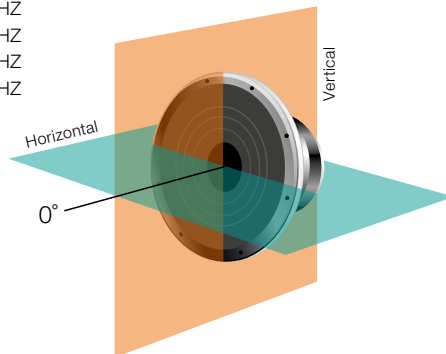
Frequency response with an active equalisation in dB

500 Hz	+1.2 dB			
630 Hz	+4.4 dB			
800 Hz	+1.2 dB			

Horizontal



- 500 HZ
- 1 kHz
- 2 kHz
- 4 kHz
- 8 kHz



Vertical

