

# GM-6040



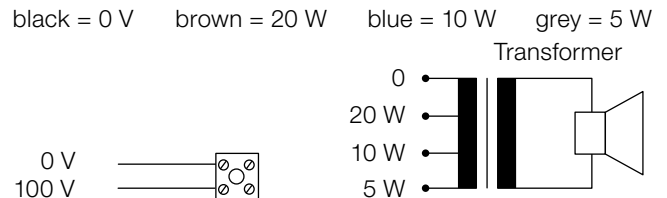
## Features

- Sound projector
- 20 W, 100 V transformer
- Mounting plastic housing
- Incl. mounting brackets for wall or ceiling mounting
- The tweeter ensures good music and speech reproduction

## Specifications

Loudspeaker system	2-way koaxial
Nominal noise power 100 V	5 / 10 / 20 W
Nominal impedance 100 V	2000 / 1000 / 500 Ω
Sensitivity (1 W / 1 m)	91.2 dB
Maximum SPL (20 W / 1 m)	104.3 dB
Frequency range	120–15'700 Hz
Coverage angle (-6 dB)	H 360°/200°/105°/60° V 360°/200°/105°/60°
Dimensions (Ø/Depth)	176 / 252 mm
Material	ABS 765A housing
Weight	2.4 kg
Color	White RAL 9003
Temperature range	-20 °C to ~60 °C
Protection	IP55
Measurement environment	Half-space free-field

## Electrical connection



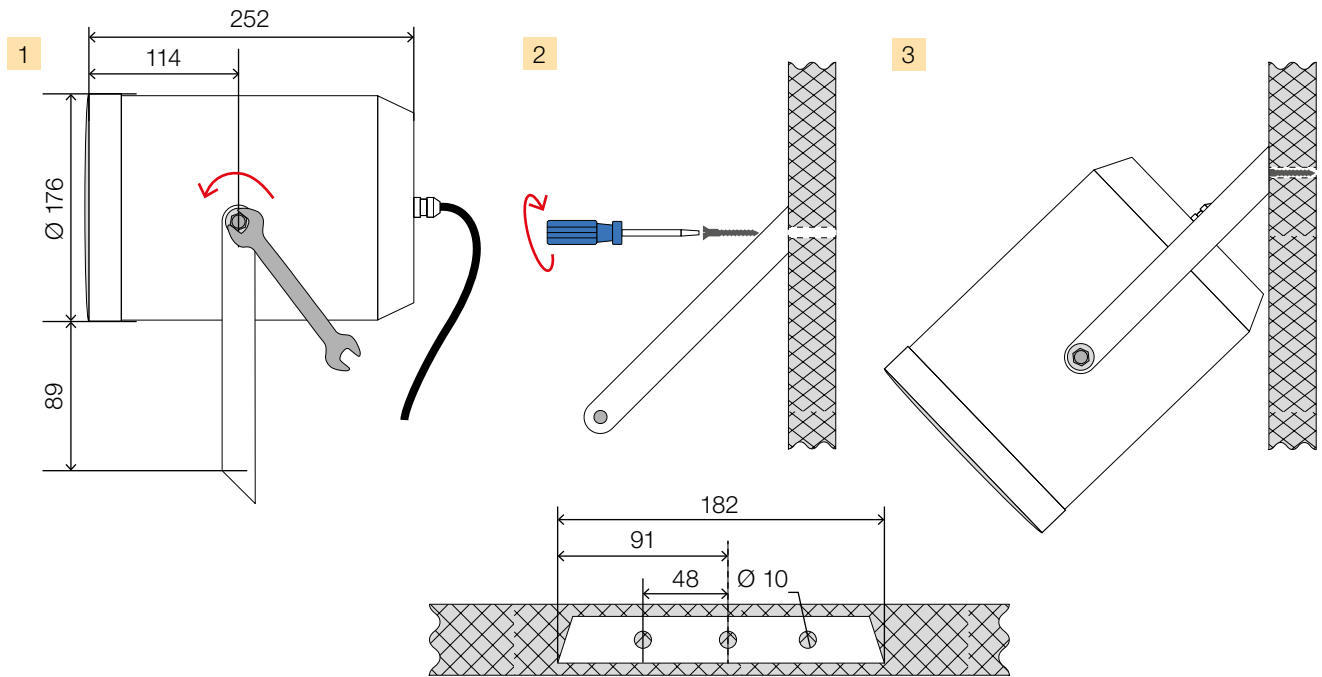
## Certificates

EN 60268-5

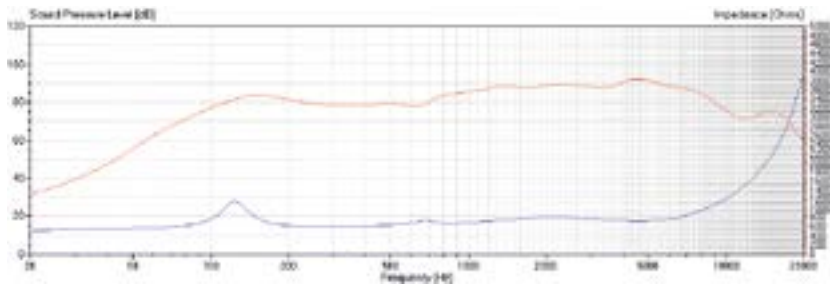
## Ordering information | Accessories

GM-6040	Loudspeaker 100 V
GM-6040-WF	Loudspeaker 100 V, weatherproof
Colors	NCS or RAL available on request

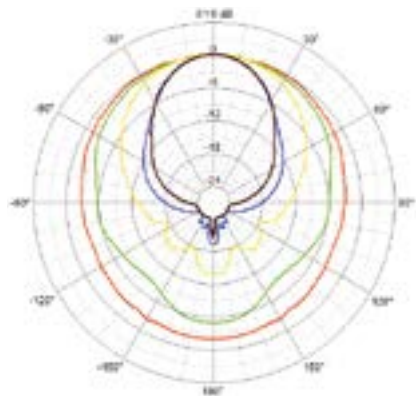
Dimensions and fitting (measuring in mm)



Frequency response | Polar plot



Horizontal



Vertical

