

GM-6250



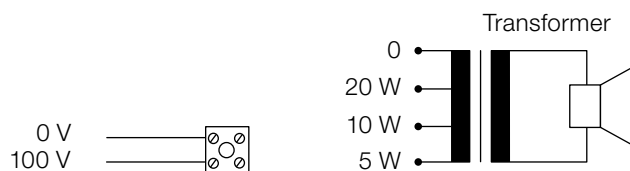
Features

- Spherical Loudspeaker suitable for rooms with high ceilings e.g. supermarkets
- 20 W loudspeaker, transformer 100 V
- Providing coverage angles of 360° horizontal and 140° to 160° vertical, for providing an even spread of sound over a big area
- Version 8 Ω only on request

Specifications

Loudspeaker system	1-way
Nominal noise power 100 V	5 / 10 / 20 W
Nominal impedance 100 V	2000 / 1000 / 500 Ω
Sensitivity (1 W / 1 m)	97 dB
Maximum SPL (20 W / 1 m)	110 dB
Frequency range (-10 dB)	185–11'000 Hz
Coverage angle (-6 dB)	H 360°
(0.5 / 1 / 2 / 4 kHz)	V 360° / 85° / 45° / 30°
Dimensions	Ø 254 mm
Weight	2.3 kg
Color	White
Temperature range	-20 °C to ~45 °C
Protection	IP44
Measurement environment	Free-field

Electrical connection



blue = 0 V green = 5 W
 yellow = 10 W red = 20 W

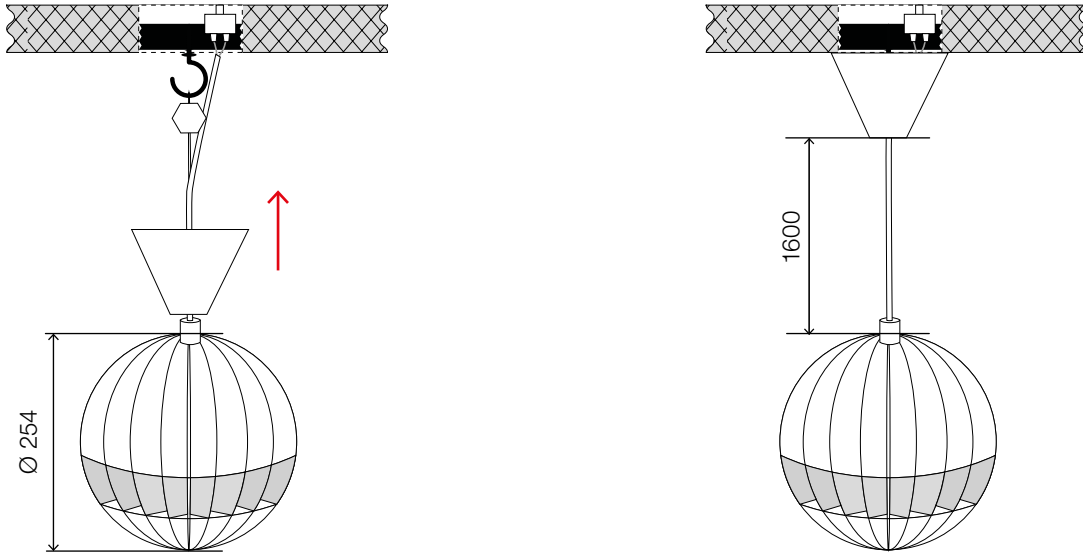
Certificates

EN 60268-5

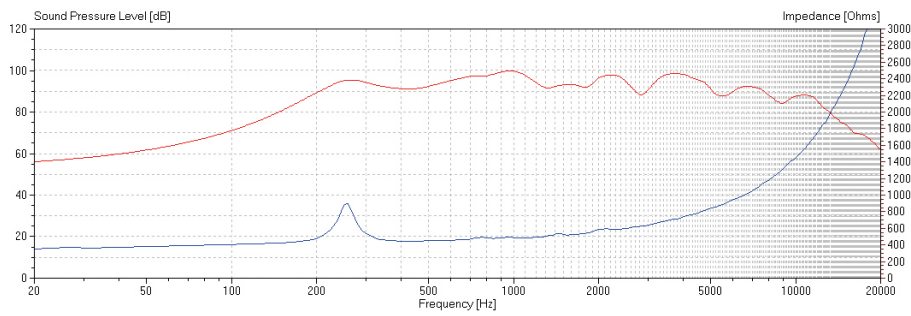
Ordering information | Accessories

GM-6250	Loudspeaker 100 V
Colors	NCS or RAL available on request

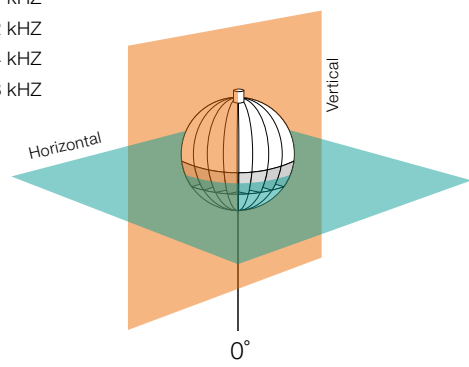
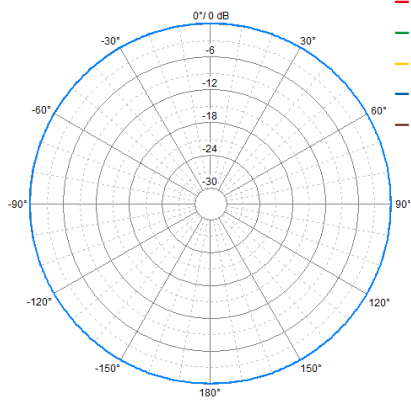
Dimensions and fitting (measuring in mm)



Frequency response



Horizontal



Vertical

