

GM-6261-AB-EN54



Features

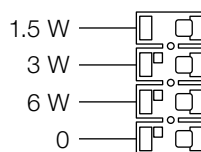
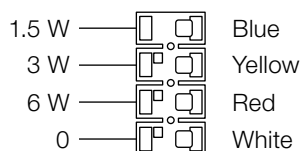
- Spherical Loudspeaker suitable for rooms with high ceilings e.g. supermarkets
- 6 W loudspeaker, 2 × transformer 100 V
- Fire-resistant, hardly inflammable
- Two separate supply lines enable the supply of the two transmission paths
- Providing coverage angles of 360° horizontal and vertical, for providing an even spread of sound over a big area

Specifications

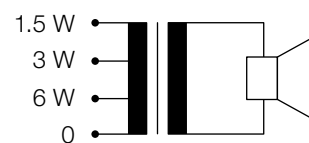
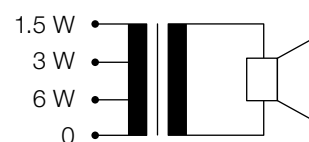
| | |
|---------------------------|------------------------|
| Loudspeaker system | 1-way, HF cone |
| Nominal noise power 100 V | 2 × 1.5/3/6 W |
| EN-Sensitivity (1 W/4 m) | 73 dB (1×), 79 dB (2×) |
| Maximum SPL (6 W/4 m) | 82 dB (1×), 88 dB (2×) |
| Maximum SPL (1 W/1 m) | 99 dB (4 kHz) double |
| Maximum SPL (6 W/1 m) | 105 dB (4 kHz) double |
| Frequency range (-10 dB) | 80–17'000 Hz |
| Coverage angle (-6 dB) | H 360°/330°/183°/77° |
| (0.5/1/2/4 kHz) | V 360°/330°/183°/77° |
| Dimensions | Ø 180 mm |
| Material | Metal |
| Weight | ca. 1.9 kg |
| Color | White RAL 9010 |
| Temperature range | -20°C to~45°C |
| Protection | IP44 |
| Measurement environment | Free-field |

Electrical connection

2 × 4 pole clamp



Transformer



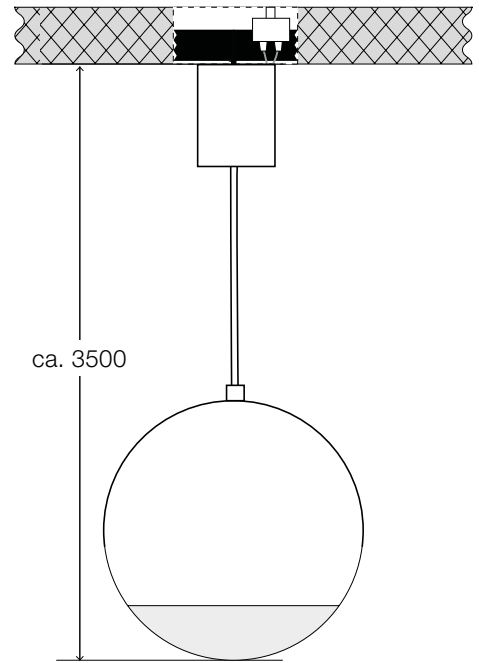
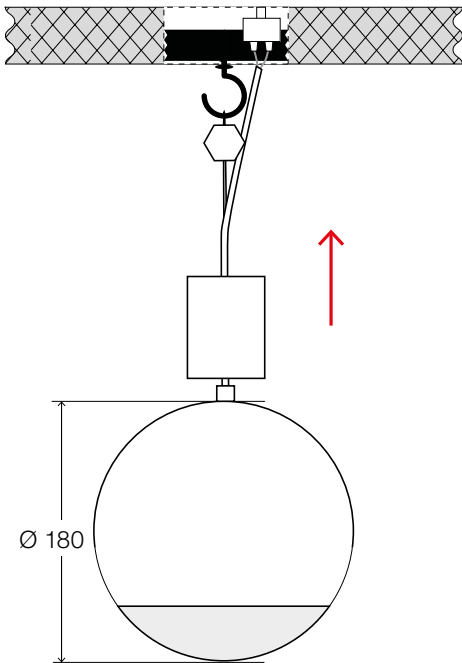
Certificates

EN 54-24 (1293-CPD-0378)

Ordering information | Accessories

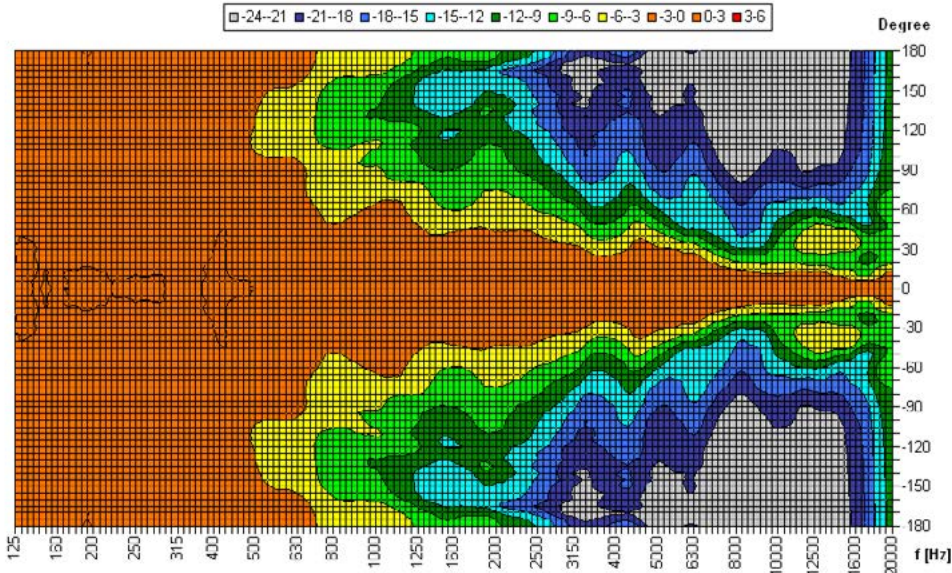
| | |
|-----------------|------------------------------------|
| GM-6261-AB-EN54 | Loudspeaker accordance to EN 54-24 |
| Option: | Finish in brushed stainless steel |
| Colors | NCS or RAL available on request |

Dimensions and fitting (measuring in mm)



Frequency response | Polar plot

Horizontal, double



Parameters: Cyclic Move: 0° ; Symmetry: average sym ; Freq.Smooth: 1/3 Oct ; Ang.Resol.: 5° ; Rel. to: 0° Axis 0°

