

GM-6270-EN54

- UV-resistant
- Elegant design
- BS 5839



Technical data

Electric

Power	16/8/4 W
Impedance	625/1250/2500 Ω
Frequency range	130–13'300 Hz
Frequency response	130–23'500 Hz
SPL 1 W/1 m	89.9 dB
SPL 1 W/4 m	77.9 dB
SPL Pmax/4 m	89.9 dB
Sensitivity EN 54-24, 1 W/4 m	73.0 dB
Sensitivity IEC 268-5, 1 W/1 m	85.0 dB
Dispersion -6 dB, 500 Hz	360°
Dispersion -6 dB, 1 KHz	196°
Dispersion -6 dB, 2 KHz	132°
Dispersion -6 dB, 4 KHz	171°

Mechanic

Dimensions ($\varnothing \times D$)	185 x 157 mm
Weight	1.50 kg
Temperature range	-20 °C to +80 °C
Standard color	RAL 9010
Special colors	RAL or NCS
Mounting	Mounting hook, not included in delivery
Connector	Ceramic block
Maximum cable cross section	8 mm ²
Max. cable cross section loop	2 x 2 mm ²
Protection	IP35
Certificate	EN 54-24



The 16 W powered speaker is equipped with a 130 mm full-range loudspeaker chassis and a 100 V transformer with 3 power adjustments. The sturdy, UV-resistant ABS-housing (UL 94 HB) in RAL 9010 guarantees long-term stability. For additional reliability, a ceramic block, a thermal fuse is provided and the speaker chassis is impregnated against wetness.

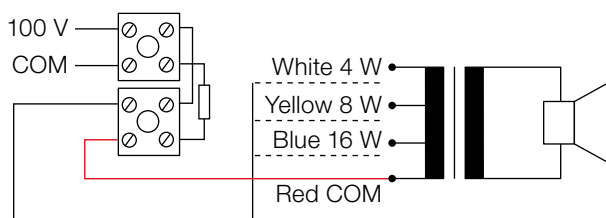
The speaker is also secured with protection class IP 35 against the security risks of environmental influences.

The speaker is also compliant with the British Standard BS 5839, Part 8.

The connection will be done with a 4,5 m long, 4-pin cable.

Quick and easy mounting with a mounting hook (not included in delivery).

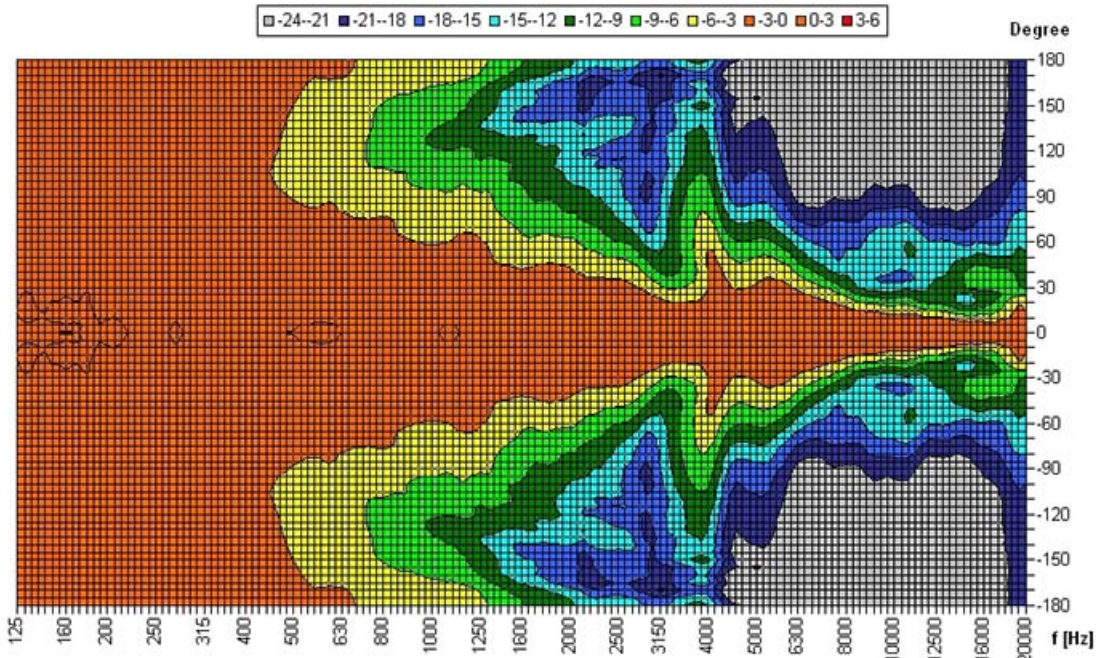
Electrical connection



EN 54-24:2008
Ref. Nr.: 63-19-021
ID-Codes: LS-VA-005
1438-CPR-0715

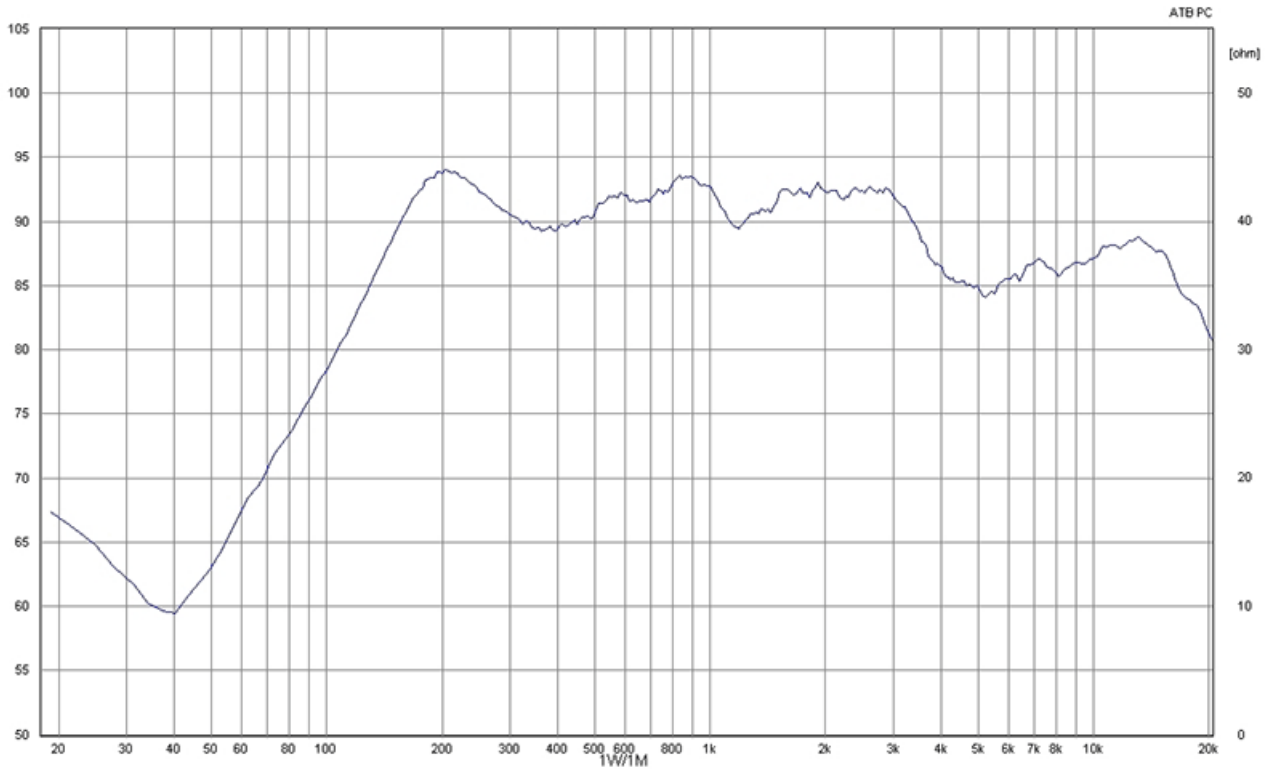
g+m elektronik ag, Bürerfeld 12,
 CH-9245 Oberbüren, Switzerland
 CE-Symbol according 93/68EWG

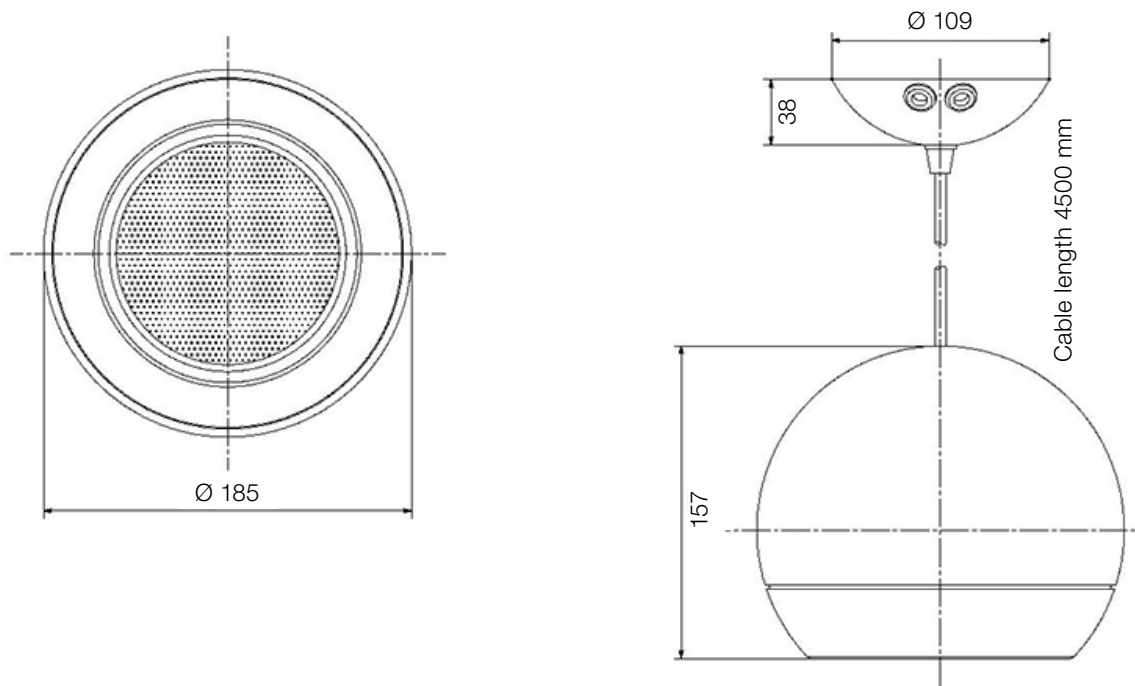
Polar plot



Parameters: Cyclic Move: 0° ; Symmetry: average sym ; Freq.Smooth: 1/3 Oct ; Ang.Resol.: 5° ; Rel. to: 0° Axis 0°

Frequency response



Dimensions in mm**Information**

Loudspeakers from g+m elektronik ag are tested and classified according to the IEC standard 60529 (degree of protection by enclosure) against the penetration of foreign objects and moisture. The classification is conforming to standards through characterization with a fixed code. This code consists of the letters IP (International Protection) followed by two digits. The first digit indicates the degree of protection against dust and the second digit the degree of protection against water. Please note that the testing of the products has been carried out in laboratory conditions which are not always 100% comparable with the conditions of different installation environments. This protection can be reduced due to normal wear and tear depending on the installation environment. Therefore our warranty does not cover any damage caused by liquids.

Measurements according to DIN IEC 268-5 | RoHS compliant (2011/65/EU).

The IP rating specified is based on g+m elektronik ag test results, not on CNBOP-PIB test results. Certification only verifies the minimum requirements for EN 54-24 compliance.