

## GM-6941-P

Thanks to the elegant slim-line design and the customizable color, they integrate seamlessly into any given environment.

The full-aluminium body and front grid provide maximum protection against dust and splash water, complying with IP54 standard. High quality components, such as the acoustically perfect-matched premium neodym drivers produce accurate and natural sound (music and speech).

Column speaker	Width in mm	Height in mm	Depth in mm
GM-6820	95	590	97
GM-6840	95	940	97
GM-6941-P	119	812	132
GM-6962-P	119	1612	132

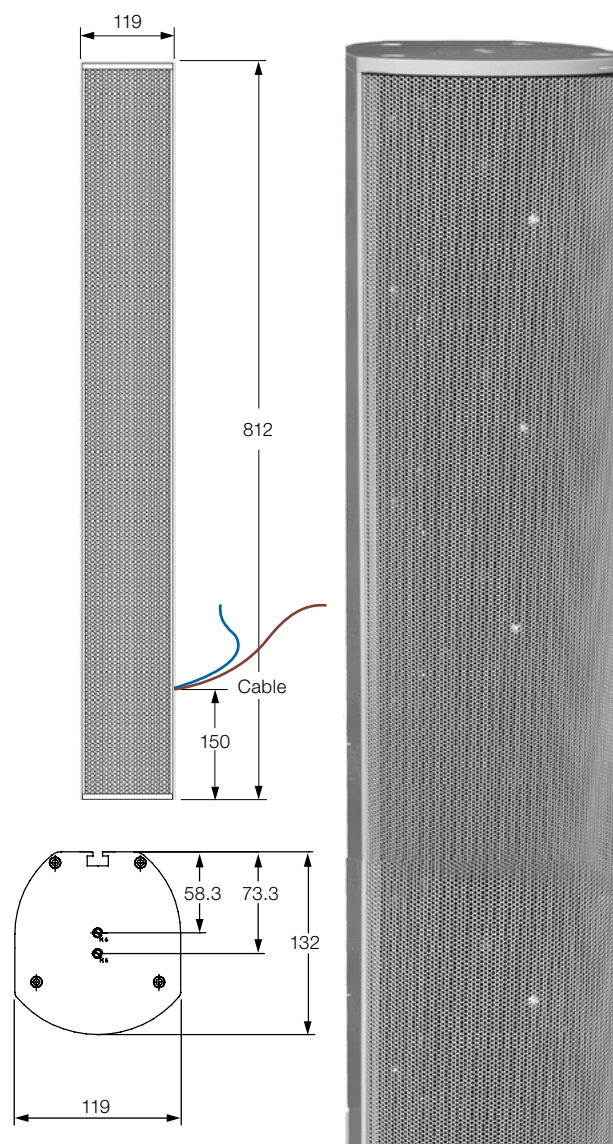
### Features

- Passive 2 way line array, developed for difficult venues, such as churches, conference rooms, public areas and outdoor applications.
- Integrated 100 V transformer
- Easy wall-mounting thanks to special brackets
- Full-aluminum body in slim-line design
- Very rich on natural sound reproduction for both speech and music
- IP54 compliant for outdoor usage

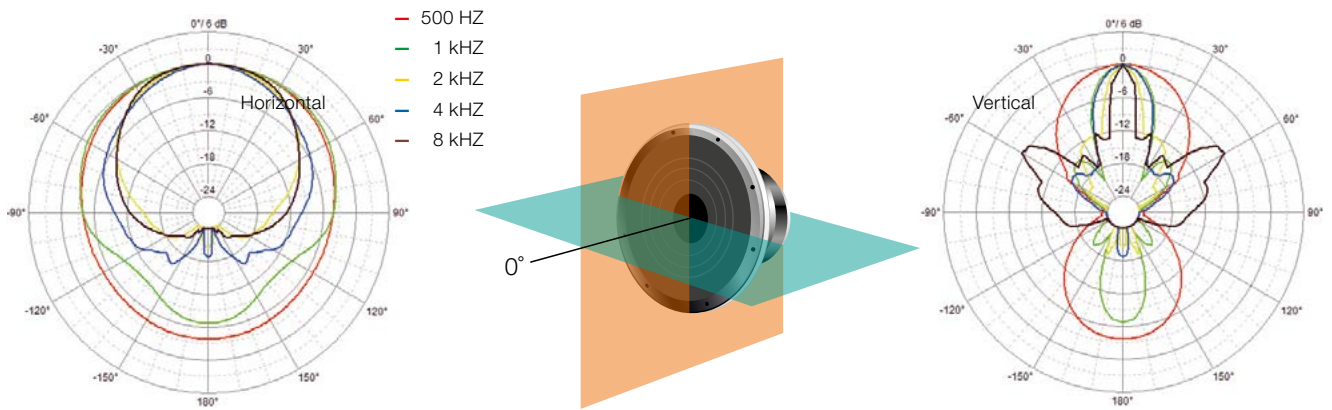
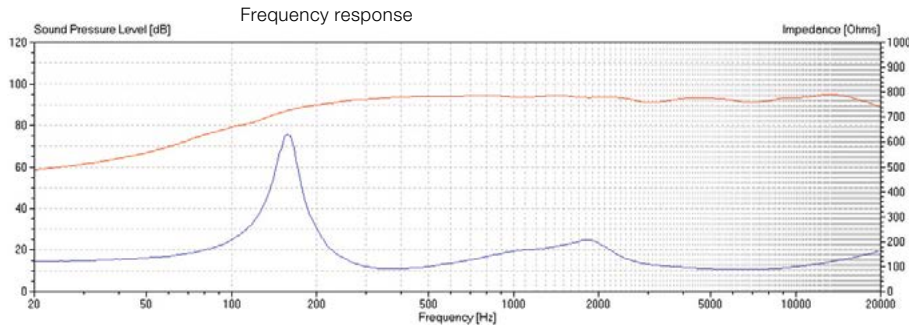
### Specifications

Loudspeaker system	2-way system, passive
Drivers	8 × 80 mm Wideband loudspeaker, ferrit magnet, 4 × tweeter
Frequency response (-10 dB)	125–20'000 Hz
Sensitivity (1 W/1 m)	94 dB
Coverage angle (-6 dB) (0.5/1/2/4 kHz)	H 360°/200°/100°/130° V 70°/30°/20°/30°
Max. sound level (at 1 m)	114 dB
Power adoption 100 V	2.5/25/50/100 W
Impedance 100 V	800/400/200/100 Ω
Power Rating (8 Ω)	100 W
Connections (80 cm)	Brown (100 V) Blue (0 V)
Dimensions (W × H × D)	119 × 812 × 132 mm
Weight	8.4 kg
Material	Aluminum
Mounting parts	Brackets
Default color	RAL 9016
Customized colours	RAL or NCS
IP Class	IP54
Measurement environment	Free-field

Measuring in mm



Frequency response | Polar plot



Dispersion

