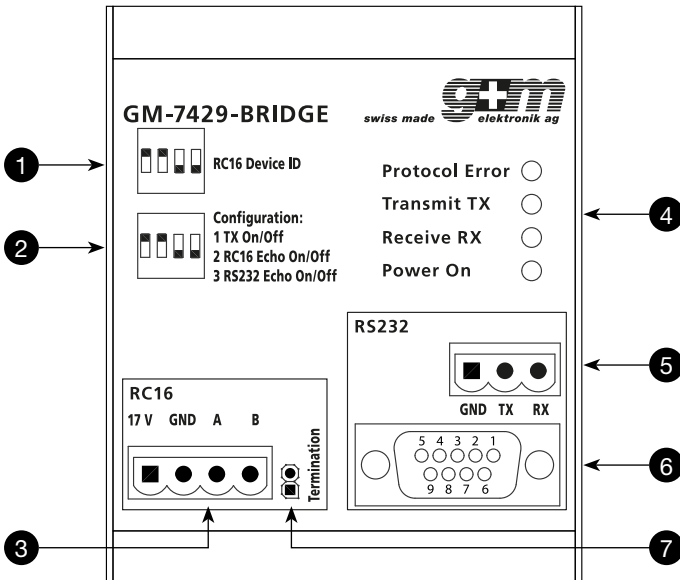


GM-7429-BRIDGE

Interface module RS232 to RC16 Bus



Front view

- 1 DIP switch for unique device address
- 2 DIP switch for configuration
- 3 Screw-tye terminal for RC16 Bus
- 4 Status indication
- 5 Pluggable screw-type terminal RS232
- 6 Connector D-Sub 9-pole RS232
- 7 Termination resistor RC16 Bus

Description

Designation and function

Interface module between RS232 and RC16 bus for connecting external systems (e.g. media control systems) and APS systems. The RC16 bus can be used to control functions and volumes. A connection to the serial device server MOXA 5110A is recommended for the use of the interface module in networks.

Adjustments on the module

- RC16 device address
- Configuration communication (TX RS232 On/Off, RC16 Echo On/Off, RS232 Echo On/Off)

Function of the module

According to the programming of the processor module APS-990. An ARIA bus master is necessary for the communication between RC16 and DataS (protocol RC16 V1.1 or higher required).

- 32 digital contacts
- All individual and group volumes controllable

Technical data

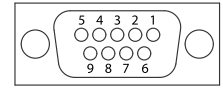
Connection diagram of connector RC16-Bus (3)

- 1 Power supply 10–30 V DC
- 2 Power supply ground
- 3 Data line RC16 A
- 4 Data line RC16 B



Connection diagram D-Sub Buchse RS232 (6)

- 2 Data line TX RS232
- 3 Data line RX RS232
- 5 Ground



Connection diagram of connector RS232 (5)

- 1 Ground
- 2 Data line TX RS232
- 3 Data line RX RS232



General information

Power supply	10–30 VDC
Current consumption (17 V)	12 mA
RS232	9600 Baud, no parity, 8 data bits, 1 Stop bit TX: outgoing data from GM-7429-BRIDGE RX: ingoing data to GM-7429-BRIDGE Connector 2 and 3 not usable simultaneously
Quantity bus sharing units	Max. 16
Dimensions (W × H × D)	73 × 89 × 38 mm
Weight	90 g
Mounting	On DIN rail (provided)