

GM-8120



Features

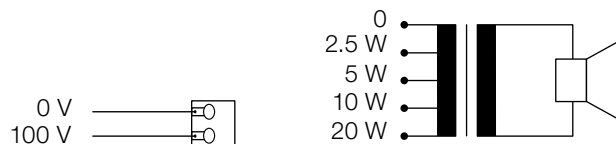
- Hi-Fi High-capacity compact box for surface, wall- or ceiling mounting
- 35 W loudspeaker, transformer 100 V
- Supplied with U-bracket or ball holder
- Very easy and quick to install
- excellent music and voice playback

Specifications

Loudspeaker system	2-way
Nominal noise power 100 V	2.5/5/10/20 W
Nominal noise power 8 Ω	35 W
Nominal impedance 100 V	4000/2000/1000/500 Ω
Sensitivity (1 W/1 m)	92.5 dB
Maximum SPL (20 W/1 m)	105.5 dB
Frequency range (-10 dB)	145 – 14'000 Hz
Coverage angle (-6 dB)	H 360°/165°/75°/105°
(0.5/1/2/4 kHz)	V 360°/200°/160°/84°
Dimensions (W x H x D)	170 x 240 x 165 mm
Weight	2 kg
Color	Black or white
Temperature range	-20°C to ~50°C
Protection	IP44
Measurement environment	Free-field

Electrical connection

black = 0 V | blue = 100 V



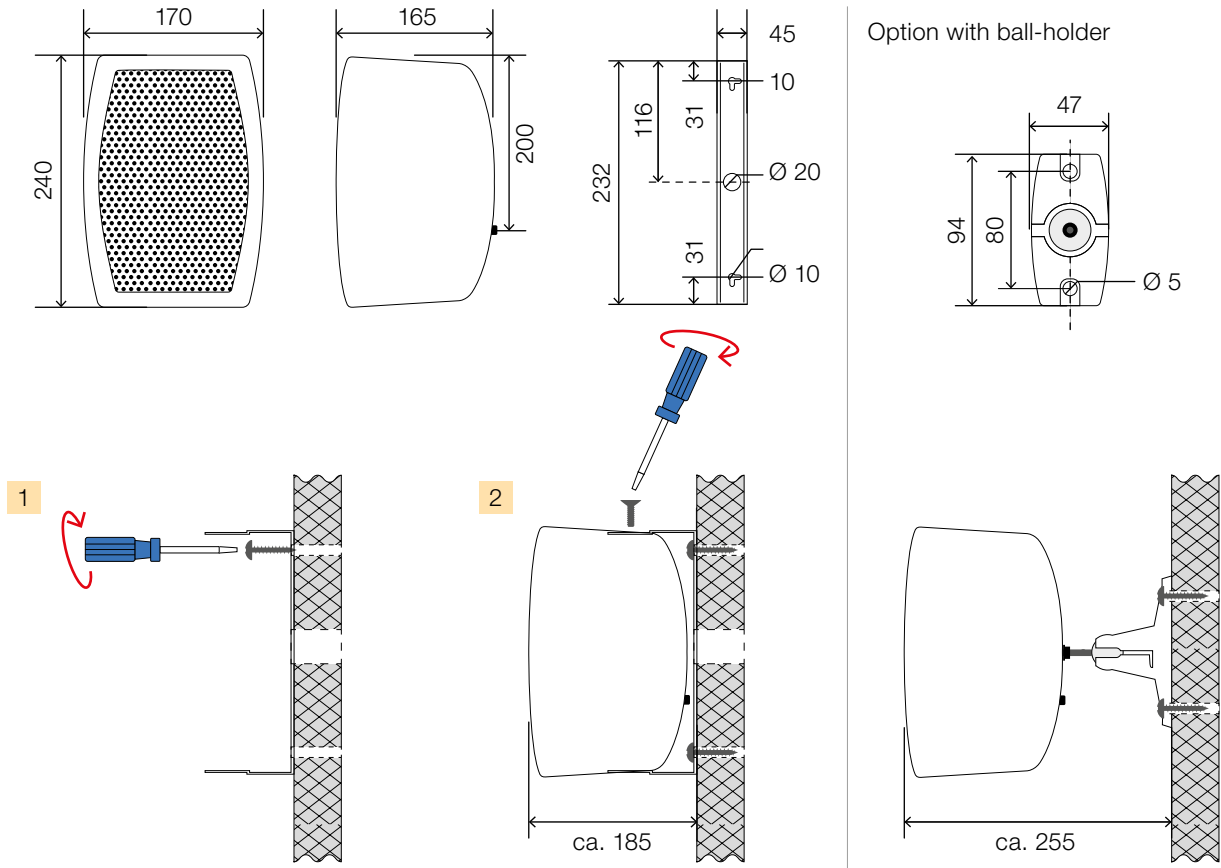
Certificates

EN 60268-5

Ordering information | Accessories

GM-8120-SW	Loudspeaker 100 V incl. U-bracket, black
GM-8120-WS	Loudspeaker 100 V incl. U-bracket, white
8439	Ball-holder, black
8440	Ball-holder, white
Colors	NCS or RAL available on request

Dimensions and fitting (measuring in mm)



Frequency response | Polar plot

