

# GM-8617-EN5424



## Features

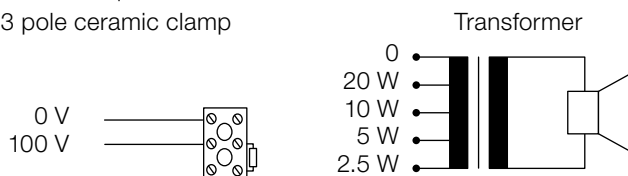
- Weatherproof, impact resistant, round horn speaker
- 20 W loudspeaker, transformer 100 V
- EV-Version with ceramic terminal and thermal fuse – no short circuit in case of fire!
- Supplied with a U bracket for easy mounting
- High efficiency for big distances
- Applicable for clear reproduction of announcements

## Specifications


Loudspeaker system	1-way
Nominal noise power 100 V	2.5/5/10/20 W
Nominal noise power 8 Ω	15 W
Nominal impedance 100 V	4000/2000/1000/500 Ω
Sensitivity (1 W/1 m)	105.8 dB
Sensitivity (1 W/4 m)	90.4 dB
Maximum SPL (20 W/1 m)	118.8 dB
Maximum SPL (20 W/4 m)	103.4 dB
Frequency range (-10 dB)	699–5'531 Hz
Coverage angle (-6 dB)	H 360°/135°/75°/40°
(0.5/1/2/4 kHz)	V 360°/135°/75°/40°
Dimensions (Ø/Depth)	210/275 mm
Material	ABS 757
Weight	2 kg
Color	Light grey
Temperature range	-20°C to ~50°C
Protection	IP66
Measurement environment	Free-field

## Electrical connection

blue = 0 V | brown = 100 V  
3 pole ceramic clamp



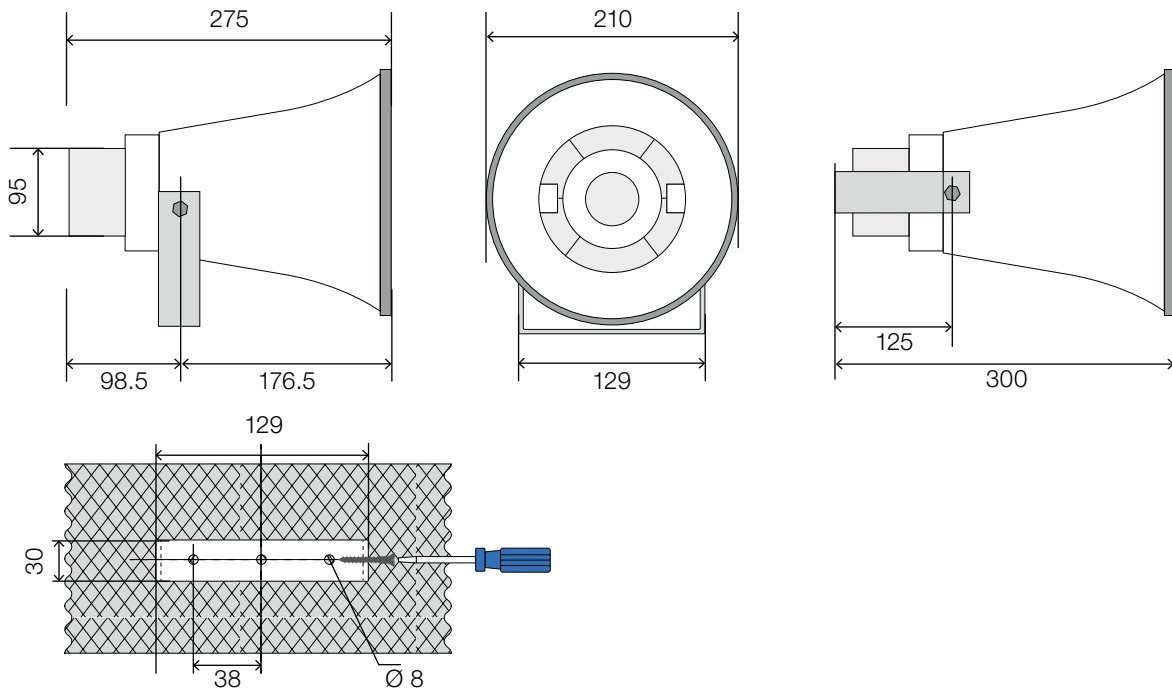
## Certificates

 1438
g+m elektronik ag Buenerfeld 12, CH-9245 Oberbüren, Switzerland 14 1438-CPR-0379
EN 54-24:2008 Loudspeaker for voice alarm systems For fire detection and fire alarm systems for buildings Horn loudspeaker 20 W and accessories GM-8617-EN5424 Type B

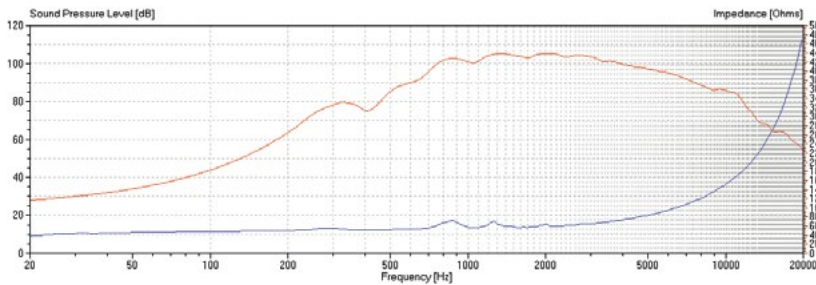
## Ordering information | Accessories

GM-8617-EN5424 Loudspeaker accordance to EN 54-24  
 Colors NCS or RAL available on request

**Dimensions and fitting (measuring in mm)**



**Frequency response**



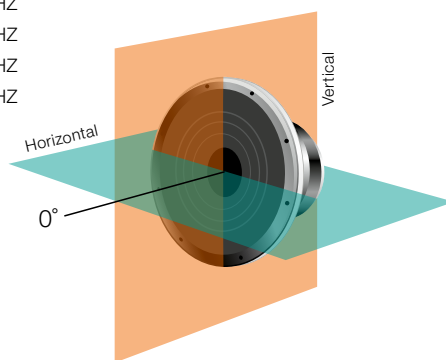
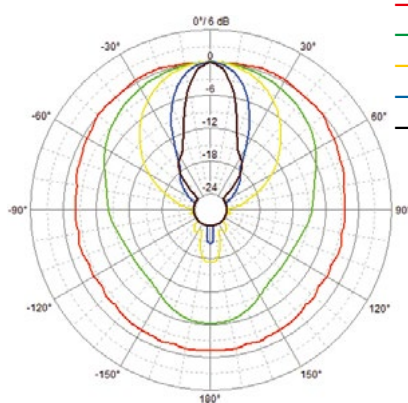
Sensitivity 100 Hz–10 KHz  
1/3 Oct. Pink noise total 1 W/4 m

100 Hz	20 dB	125 Hz	25 dB	160 Hz	34 dB
200 Hz	43 dB	250 Hz	55 dB	315 Hz	63 dB
400 Hz	62 dB	500 Hz	70 dB	630 Hz	75 dB
800 Hz	81 dB	1000 Hz	80 dB	1250 Hz	82 dB
1600 Hz	80 dB	2000 Hz	82 dB	2500 Hz	81 dB
3150 Hz	81 dB	4000 Hz	78 dB	5000 Hz	76 dB
6300 Hz	76 dB	8000 Hz	71 dB	10000 Hz	64 dB

Frequency response with an active equalisation in dB

100 Hz	0.00 dB	125 Hz	0.00 dB	160 Hz	+0.50 dB
200 Hz	+1.25 dB	250 Hz	+2.40 dB	315 Hz	+4.80 dB
400 Hz	+7.30 dB	500 Hz	+6.50 dB	630 Hz	+6.60 dB
800 Hz	+1.70 dB	1000 Hz	0.00 dB	1250 Hz	-1.00 dB
1600 Hz	-1.50 dB	2000 Hz	-1.20 dB	2500 Hz	-0.75 dB
3150 Hz	-0.50 dB	4000 Hz	0.00 dB	5000 Hz	+0.70 dB
6300 Hz	+3.00 dB	8000 Hz	+3.80 dB	10000 Hz	+2.00 dB

**Horizontal**



**Vertical**

