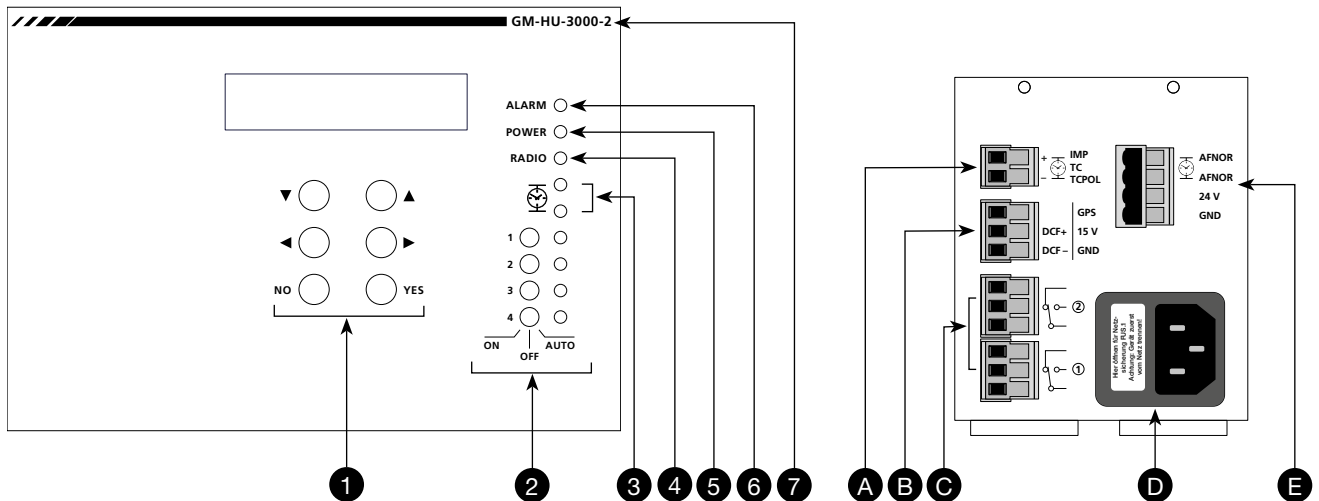


# GM-HU-3000-2

Master clock for installation in APS systems



## Front view (FRS)

- 1 Menu buttons
- 2 Switch and display for circuit 1–4
- 3 Display slave clocks minute impulse/TimeCode
- 4 Display radio signal reception
- 5 Power indicator
- 6 Alarm indicator
- 7 Model code

## Rear view (RWS)

- A Connector block slave clock
- B Connector block DCF/GPS
- C Connector block Switch contact 1 and 2
- D Mains power
- E Connector block slave clock AFNOR

## Features

**Output 24 V time code, +24 V minute pulse, AFNOR with 24 V/ 300 mA supply, 4 circuits (only for installation in system housing MC-03)**

- For the control and regulation of electrical consumers such as gong systems, lights, doors, triggering of pause chimes, etc.
- For controlling analogue and digital slave clocks
- Easy programming with SD card (option)

## General data

- Automatic winter/summer time changeover
- Simple programming by YES/NO Input on an easy-to-read LCD display
- For perfect accuracy, optional synchronization with DCF-77 receiver possible
- LED display for power supply and signalling of activated circuits as well as reception of radio signal
- Integrated lithium battery for storing programmed data, in case of power failure for at least 10 years

## Functions

- 4 circuits with 800 signal points, 2 alternating and 2 closing potential-free contacts programmable as ON/OFF or pulse
- Simple programming via SD card (option)
- ON/OFF and pulse (1-59 seconds) can be pre-programmed for day/week/year activities – the programmed holiday program is automatically adjusted each year
- Up to 6 different timetables for schools or working hours can be programmed per year
- After a power failure, the relay outputs are set to the previous position
- Power reserve of 72 hrs (pulse memory)

Article	Output	Circuits	Connection
GM-HU-3000-2	24 V DC or Time Code AFNOR with 24 V/300 mA power supply	4	230 V AC
GM-HU-SD-CARD	Programming card		

## Specifications

Quartz frequency	4.915200 MHz
Precision	0.1 sec/24 h (at 20°C)
Output	24 V DC Minutenimpuls or 24 V DC Time Code, AFNOR with 24 V/300 mA supply
Output current	1 A
Signal points	800
Power reserve	10 years (Lithium battery)
Relay outputs	2 impulse and 2 normally open (potential free contacts)
Max. relay contact/power	230 V AC, 6 A cos. 0.7
Ambient temperature	-5°C to 40°C
Humidity	15% to 90%, non condensing
Housing	APS system housing
CE Admission	EN 50081-1, EN 50082-2

### Options:

GM-2022	External radio receiver for DCF signal
GM-2022-GPS	External receiver for GPS signal