

LUMEX 12 | LUMEX 12-S

LUMEX 12-EBS | LUMEX 12-S-EBS

LUMEX 12



LUMEX 12-EBS



LUMEX 12-S



LUMEX 12-S-EBS



Features

The LUMEX is an elegant LED digital clock for indoor use. The clock is available in the LED colours red, green, yellow and white. The synchronization modes time code (TC), 24 Volt minute impulse and stand alone are already built in. The light intensity can be set manually or switched to the «automatic» function. A temperature sensor and the «Chronometer» function including remote control are optionally available.

Specifications

Power	230 VAC, 50 Hz, $\pm 5\%$
Power consumption	0.35 A
Temperature range	0°C to 40°C
Digit height HH:MM:DD	120 mm
Digit height :SS	70 mm
Display colour (LED)	Red, green, yellow, white
Synchronisation	Stand alone, 24 V Minute impulse, Time Code (TC). Option: NTP-PoE, DCF
Accuracy	± 0.1 sec./24 hours
Power reserve	48 hours
Change summer and winter time	Last Sunday in March, last Sunday in October
Measuring range temp. sensor	0°C to +40°C
Accuracy temperature sensor	± 1 °C
Temperature and date display	Interval, duration freely selectable

Ordering information | Accessories

Lumex 12	Display colour	Version	Mounting	Weight
GM-LUMEX-12	● ● ● ○	Single sided		1.80 kg
GM-LUMEX-12-DS-D	● ● ● ○	Double sided	Ceiling mounting	2.55 kg
GM-LUMEX-12-DS-W	● ● ● ○	Double sided	Wall mounting	2.55 kg

	Dim. W × H × D	Version	Readability
GM-LUMEX-12	450 × 200 × 50 mm	Single sided	50 m
GM-LUMEX-12-DS-D	450 × 200 × 70 mm	Double sided	50 m
GM-LUMEX-12-DS-W	450 × 200 × 70 mm	Double sided	50 m

Lumex 12-S	Display colour	Version	Mounting	Weight
GM-LUMEX-12-S	● ● ● ○	Single sided		2.00 kg
GM-LUMEX-12-S-DS-D	● ● ● ○	Double sided	Ceiling mounting	3.00 kg
GM-LUMEX-12-S-DS-W	● ● ● ○	Double sided	Wall mounting	3.00 kg

	Dim. W × H × D	Version	Readability
GM-LUMEX-12-S	640 × 200 × 50 mm	Single sided	50 m
GM-LUMEX-12-S-DS-D	640 × 200 × 70 mm	Double sided	50 m
GM-LUMEX-12-S-DS-W	640 × 200 × 70 mm	Double sided	50 m

Lumex 12-EBS	Display colour	Version	Mounting	Weight
GM-LUMEX-12-EB	● ● ● ○	Single sided	Montage encastré	8.1 kg

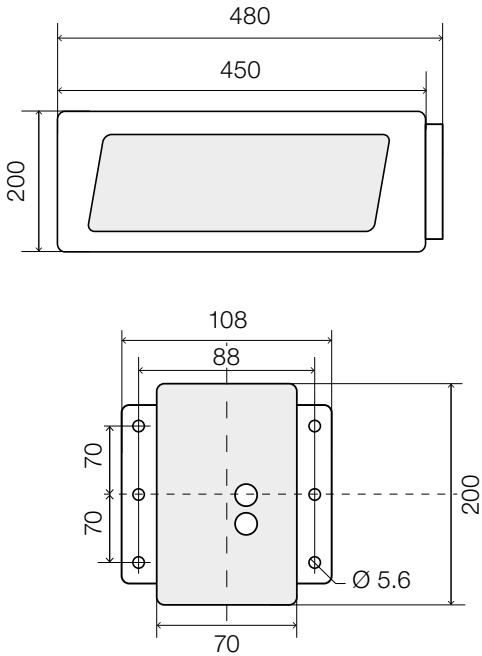
	Dim. W × H × D	Version	Readability
GM-LUMEX-12-EBS	457 × 204 × 120 mm	Single sided	50 m
EKS-LUMEX-12			MDF, Montage encastré

Lumex 12-S-EBS	Display colour	Version	Mounting	Weight
GM-LUMEX-12-EB	● ● ● ○	Single sided	Montage encastré	10.3 kg

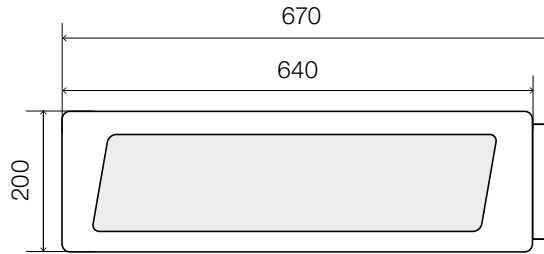
	Dim. W × H × D	Version	Readability
GM-LUMEX-12-S-EBS	647 × 204 × 120 mm	Single sided	50 m
EKS-LUMEX-12-S			MDF, Montage encastré

Dimensions and mounting for double sided clock (measurements in mm)

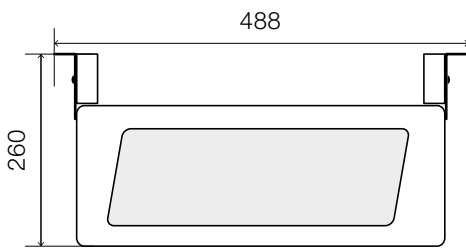
1 Wall mounting LUMEX 12



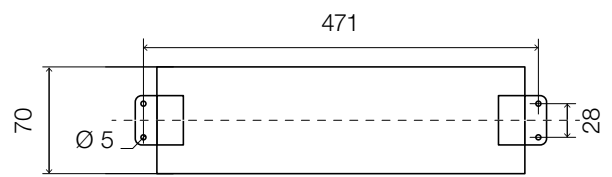
Wall mounting LUMEX 12-S



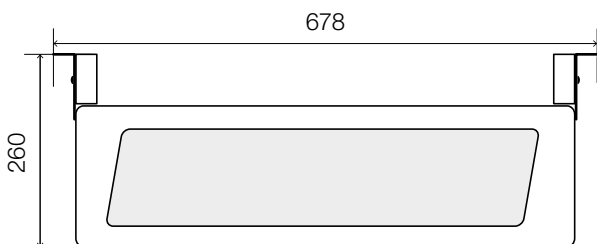
2 Ceiling mounting LUMEX 12



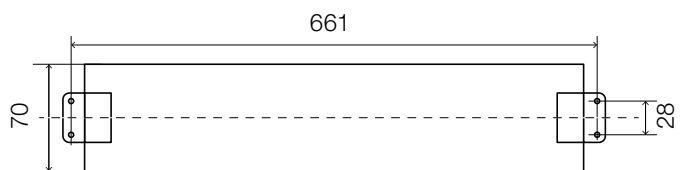
LUMEX 12, View from top



Ceiling mounting LUMEX 12-S

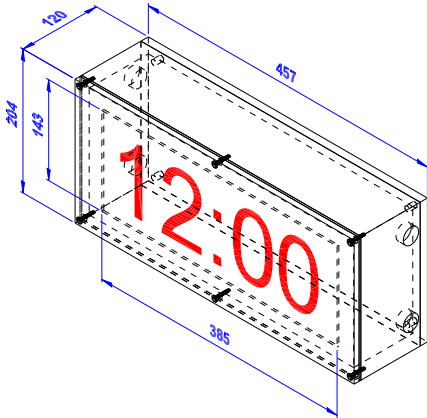


LUMEX 12-S, View from top



Dimensions and mounting (measurements in mm)

Flush-mounting LUMEX 12-EBS



Flush-mounting LUMEX 12-S-EBS

