

LUMEX 7 | LUMEX 7-S

LUMEX 7 EBS | LUMEX 7-S-EBS

LUMEX 7



LUMEX 7-EBS



LUMEX 7-S



LUMEX 7-S-EBS



Features

The LUMEX is an elegant LED digital clock for indoor use. The clock is available in the LED colours red, green, yellow and white. The synchronization modes time code (TC), 24 Volt minute impulse and stand alone are already built in. The light intensity can be set manually or switched to the «automatic» function. A temperature sensor and the «Chronometer» function including remote control are optionally available.

Specifications

| | |
|-------------------------------|---|
| Power | 230 VAC, 50 Hz, $\pm 5\%$ |
| Power consumption | 0.35 A |
| Temperature range | 0°C to 40°C |
| Digit height HH:MM:DD | 70 mm |
| Digit height :SS | 50 mm |
| Display colour (LED) | Red, green, yellow, white |
| Synchronisation | Stand alone, 24 V Minute impulse, Time Code (TC). Option: NTP-PoE, DCF |
| Accuracy | ± 0.1 sec./24 hours |
| Power reserve | 48 hours |
| Change summer and winter time | Last Sunday in March, last Sunday in October |
| Measuring range temp. sensor | 0°C to +40°C |
| Accuracy temperature sensor | ± 1 °C |
| Temperature and date display | Interval, duration freely selectable |

Ordering information | Accessories

| Lumex 7 | Display colour | Version | Mounting | Weight |
|-----------------|----------------|--------------|------------------|---------|
| GM-LUMEX-7 | ● ● ● ○ | Single sided | | 0.80 kg |
| GM-LUMEX-7-DS-D | ● ● ● ○ | Double sided | Ceiling mounting | 1.06 kg |
| GM-LUMEX-7-DS-W | ● ● ● ○ | Double sided | Wall mounting | 1.16 kg |

| | Dim. W × H × D | Version | Readability |
|-----------------|-------------------|--------------|-------------|
| GM-LUMEX-7 | 325 × 120 × 50 mm | Single sided | 35 m |
| GM-LUMEX-7-DS-D | 325 × 120 × 70 mm | Double sided | 35 m |
| GM-LUMEX-7-DS-W | 325 × 120 × 70 mm | Double sided | 35 m |

| Lumex 7-S | Display colour | Version | Mounting | Weight |
|-------------------|----------------|--------------|------------------|---------|
| GM-LUMEX-7-S | ● ● ● ○ | Single sided | | 1.00 kg |
| GM-LUMEX-7-S-DS-D | ● ● ● ○ | Double sided | Ceiling mounting | 1.32 kg |
| GM-LUMEX-7-S-DS-W | ● ● ● ○ | Double sided | Wall mounting | 1.42 kg |

| | Dim. W × H × D | Version | Readability |
|-------------------|-------------------|--------------|-------------|
| GM-LUMEX-7-S | 425 × 120 × 50 mm | Single sided | 35 m |
| GM-LUMEX-7-S-DS-D | 425 × 120 × 70 mm | Double sided | 35 m |
| GM-LUMEX-7-S-DS-W | 425 × 120 × 70 mm | Double sided | 35 m |

| Lumex 7-EBS | Display colour | Version | Mounting | Weight |
|----------------|----------------|--------------|----------------|--------|
| GM-LUMEX-7-EBS | ● ● ● ○ | Single sided | Flush-mounting | 6.0 kg |

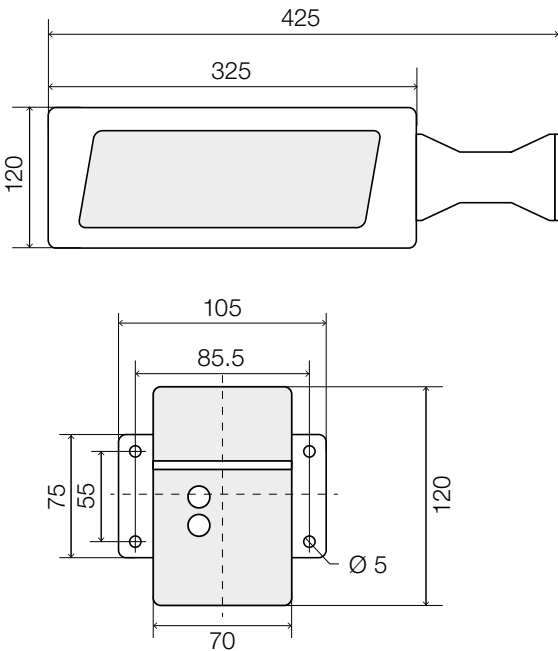
| | Dim. B × H × T | Version | Readability |
|----------------|--------------------|---------------------|-------------|
| GM-LUMEX-7-EBS | 322 × 130 × 120 mm | Single sided | 35 m |
| EKS-LUMEX-7 | | MDF, Flush-mounting | |

| Lumex 7-S-EBS | Display colour | Version | Mounting | Weight |
|------------------|----------------|--------------|----------------|--------|
| GM-LUMEX-7-S-EBS | ● ● ● ○ | Single sided | Flush-mounting | 7.9 kg |

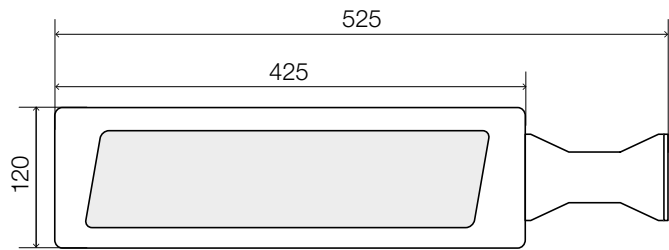
| | Dim. B × H × T | Version | Readability |
|------------------|--------------------|---------------------|-------------|
| GM-LUMEX-7-S-EBS | 427 × 130 × 120 mm | Single sided | 35 m |
| EKS-LUMEX-7-S | | MDF, Flush-mounting | |

Dimensions and mounting for double sided clock (measurements in mm)

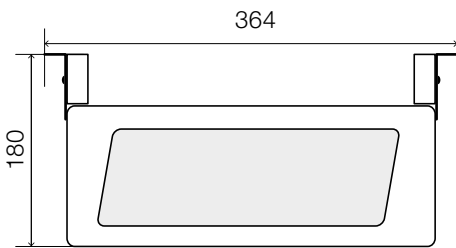
1 Wall mounting LUMEX 7



Wall mounting LUMEX 7-S



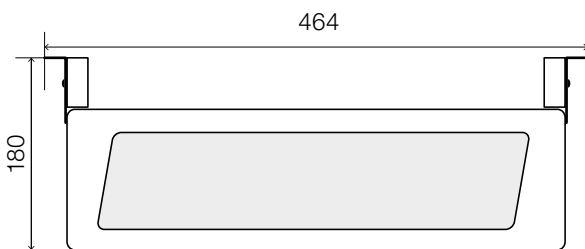
2 Ceiling mounting LUMEX 7



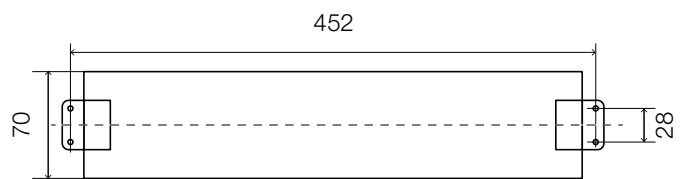
LUMEX 7, View from top



Ceiling mounting LUMEX 7-S

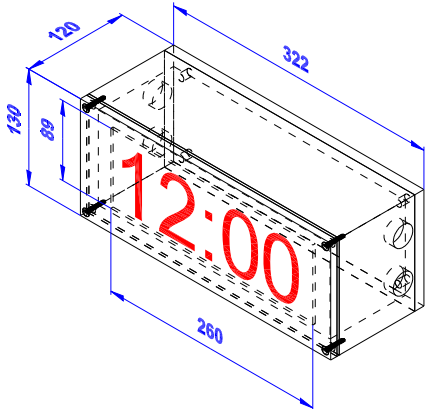


LUMEX 7-S, View from top



Dimensions and mounting (measurements in mm)

Flush-mounting LUMEX 7-EBS



Flush-mounting LUMEX 7-S-EBS

