

Shadow-105T-EN54

Weatherproof



Features

- All-weather loudspeaker, 100 Volt
- Protection against humidity due to robust construction with maximum sound pressure
- High-quality music and speech reproduction for indoor and outdoor use
- Especially suitable for sports fields, swimming pools, theme parks, restaurants etc.

Certificate

EN 54-24 (0068/CPR/011-2019)

Specifications

Loudspeaker system	2-way
Nominal noise power 100 V	25/50 W
Sensitivity (1 W/1 m)	87.5 dB
Maximum SPL (1 m/4 m)	104 dB/92 dB
Frequency range (-6 dB)	100 – 18'000 Hz
Coverage angle (-6 dB)	H 180°/140°/80°/95° V 160°/110°/70°/40°
Dimensions (W × H × D)	168 × 222 × 200 mm
Connenction	Cable 1 m, 4 wires
Cabinet material	Plastic PP
Temperature range	-25 °C to ~55 °C
Weight	3.5 kg
Color	Black
Protection	IP55

Ordering information

Shadow-105CT-EN54 Loudspeaker, weatherproof

Electrical connection

FBT SHADOW
105T / EN

Recommended amplifier:	100W
Rated noise power:	50W
Rated noise voltage (white or blue):	100V
Nominal impedance:	8 Ohm (red)


Red: 8Ω / 50W
 Blue: 100V / 50W 70V half pwr
 White: 100V / 25W 70V half pwr
 Black: COM

IP 55 TYPE B

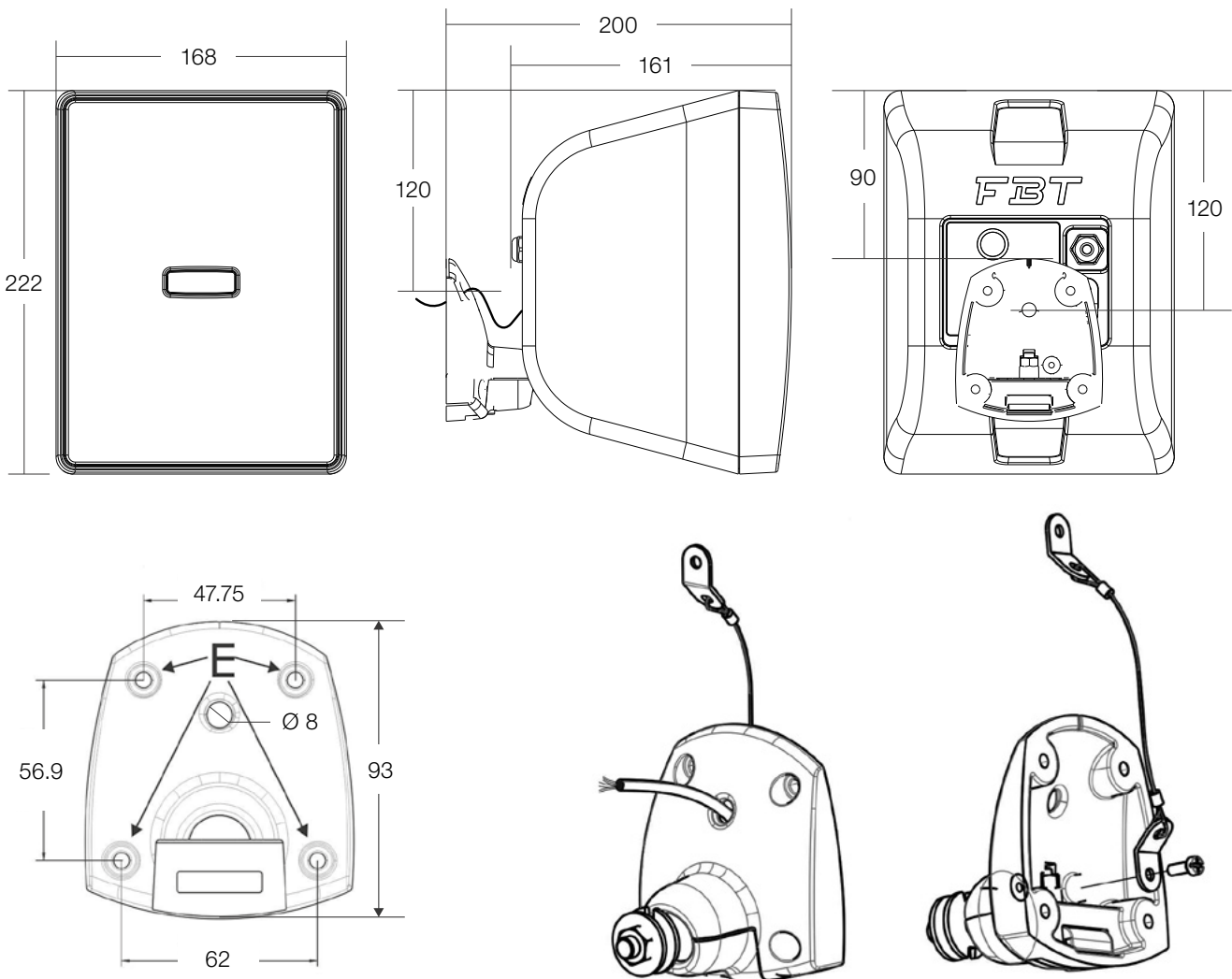
CERT. DOP: 0068 - CPR - 011/2019 EN 54 - 24:2008

ENGINEERED IN ITALY by FBT Elettronica SpA
 MADE IN CHINA

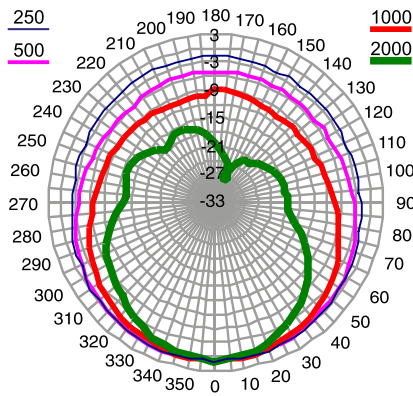
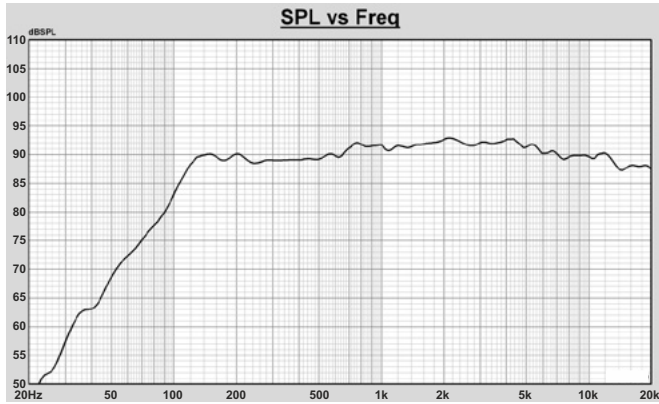
CODE: 40646

CE 19 

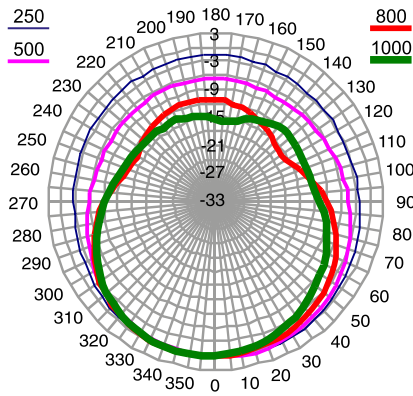
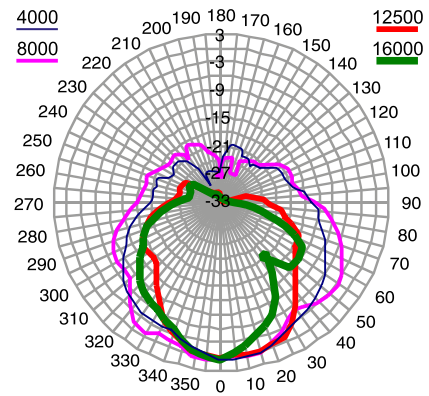
Dimensions in mm



Frequency response | Polar plot



Horizontal



Vertical

