

Shadow-108CT-EN54

Weatherproof



Features

- All-weather loudspeaker, 100 Volt
- Protection against humidity due to robust construction with maximum sound pressure
- High-quality music and speech reproduction for indoor and outdoor use
- Especially suitable for sports fields, swimming pools, theme parks, restaurants etc.

Certificate

EN 54-24 (0068/CPR/011-2019)

Specifications

Loudspeaker system	2-way
Nominal noise power 100 V	60/120 W
Sensitivity (1 W/1 m)	94 dB
Maximum SPL (1 m/4 m)	115 dB/103 dB
Frequency range (-6 dB)	94–20'000 Hz
Coverage angle (-6 dB)	H 160°/100°/90°/80°
(0.5/1/2/4 kHz)	V 160°/100°/90°/80°
Dimensions (W × H × D)	285 × 285 × 250 mm
Connenction	Cable 1 m, 4 wires
Cabinet material	Plastic PP
Temperature range	-25 °C to ~55 °C
Weight	10 kg
Color	Black
Protection	IP55

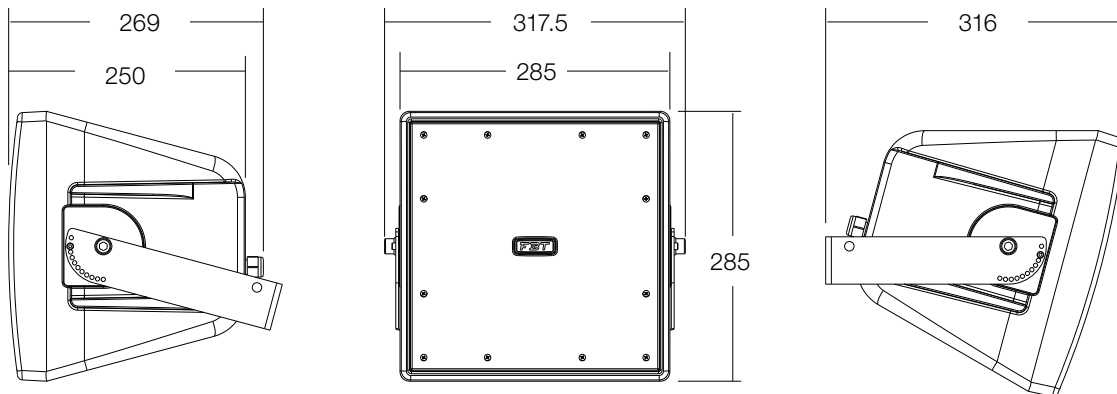
Ordering information

Shadow-108CT-EN54 Loudspeaker, weatherproof

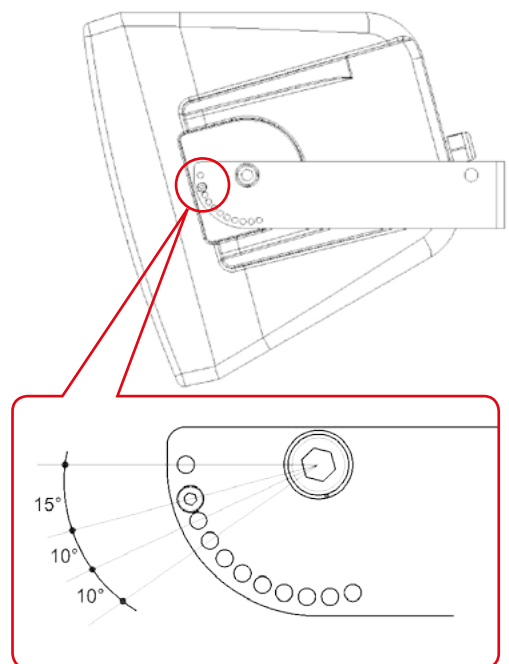
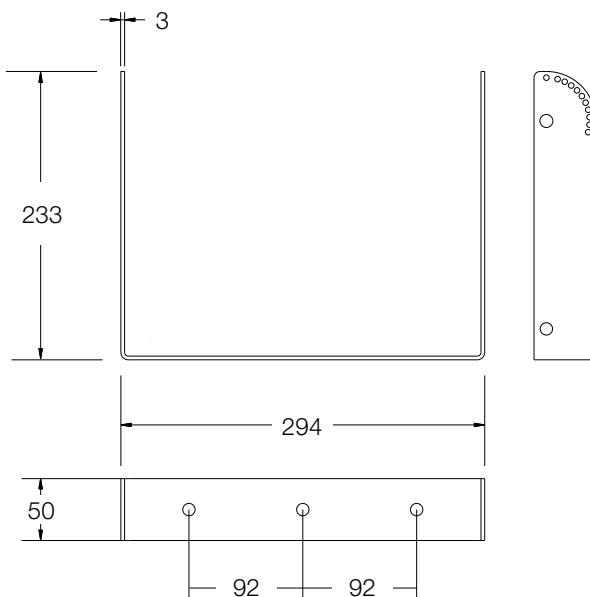
Electrical connection

FBT Elettronica SpA		SHADOW 108CT / EN	
Recommended amplifier:	300W	Red: 7,5Ω / 150W	
Rated noise power:	150W	Blue: 100V / 120W	
Rated noise voltage (white or blue):	100V	White: 100V / 60W	
Nominal impedance:	7,5 Ohm (red)	Black: COM	
CERT. DOP	0068 - CPR - 011/2019	EN 54 - 24:2008	
CODE: 41910		IP 55	TYPE B
		CE 19	MADE IN ITALY

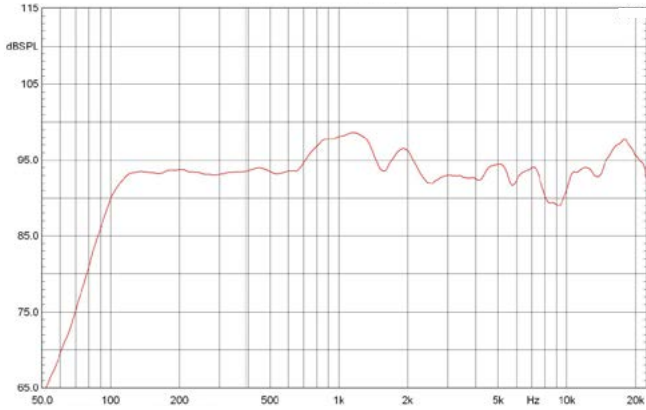
Dimensions in mm



Wall bracket



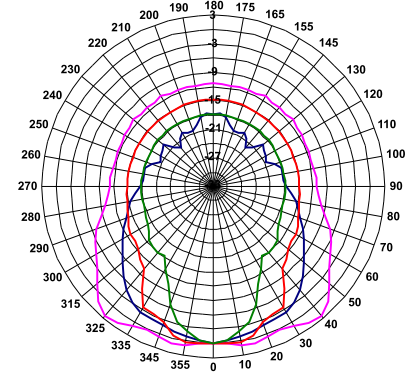
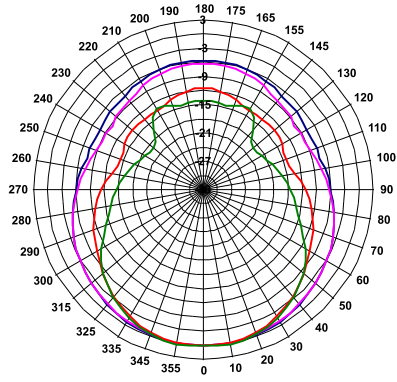
Frequency response | Polar plot



— 250 — 500 — 1000 — 2000

— 4000 — 8000 — 12500 — 16000

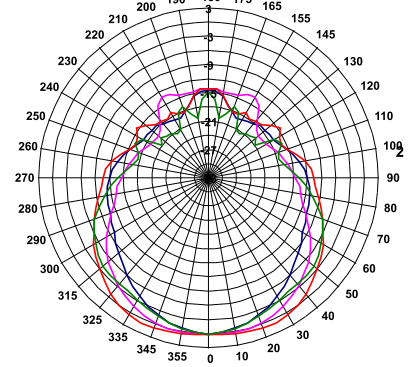
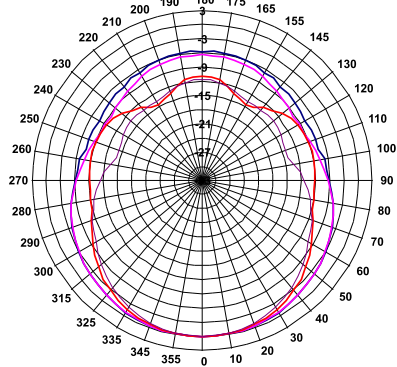
Horizontal



— 250 — 500 — 800 — 1000

— 1400 — 2000 — 2500 — 3150

Vertical



— 4000 — 5000 — 6300 — 8000

— 9000 — 10000 — 12500 — 14000

