

Shadow-112CT-EN54

Wetatherproof



Features

- All-weather loudspeaker, 100 Volt
- Protection against humidity due to robust construction with maximum sound pressure
- High-quality music and speech reproduction for indoor and outdoor use
- Especially suitable for sports fields, swimming pools, theme parks, restaurants etc.

Certificate

EN 54-24 (0068/CPR/011-2019)

Specifications

Loudspeaker system	2-way
Nominal noise power 100 V	100/200 Watt
Sensitivity (1 W/1 m)	97.5 dB
Maximum SPL (1 W/4 m)	120 dB/108 dB
Frequency range (-6 dB)	68–20'000 Hz
Coverage angle (-6 dB)	H 100°/90°/80°/50° V 100°/90°/80°/50°
Dimensions (W × H × D)	430 × 430 × 400 mm
Connenction	Cable 4 m, 4 wires
Cabinet material	Plastic PP
Temperature range	-25 °C to ~55 °C
Weight	19 kg
Color	Black
Protection	IP55

Ordering information

Shadow-112CT-EN54	Loudspeaker, weatherproof
Shadow-112CT-EN54-V4	Loudspeaker, weatherproof. With V4 brackets for use in indoor swimming pools

Electrical connection

FBT Elettronica SpA
SHADOW
 112CT / EN

Recommended amplifier: 400W
 Rated noise power: 200W
 Rated noise V (white or blue): 100V
 Nominal impedance: 8 Ohm (red)
 Red: 8Ω / 200W
 Blue: 100V / 200W 70V half pwr
 White: 100V / 100W 70V half pwr
 Black: COM

CERT. DOP: 0068 - CPR - 011/2019

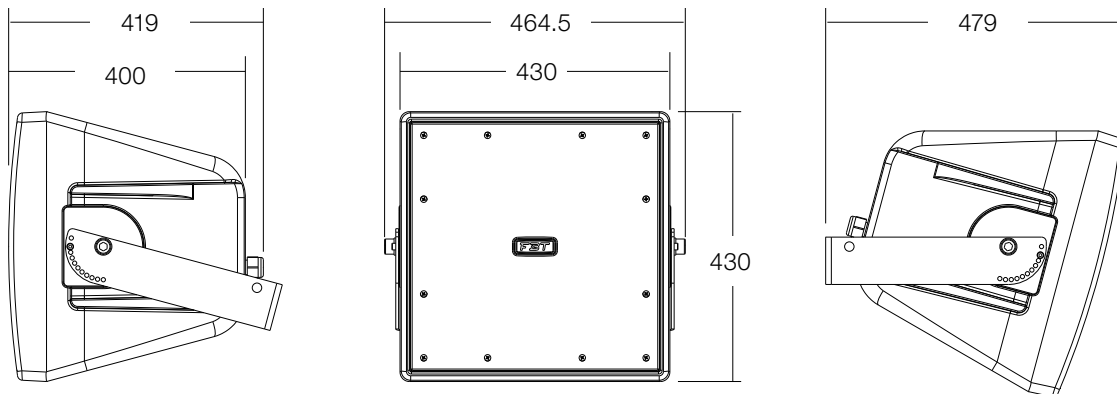
EN 54 - 24:2008 CE 19

IP 55 TYPE B 19

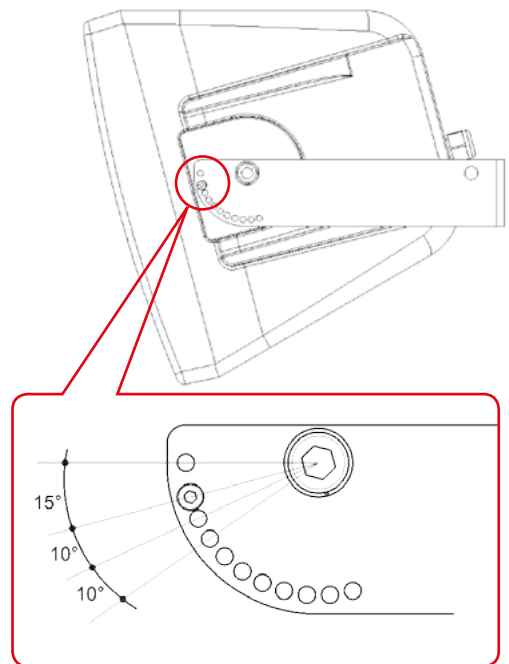
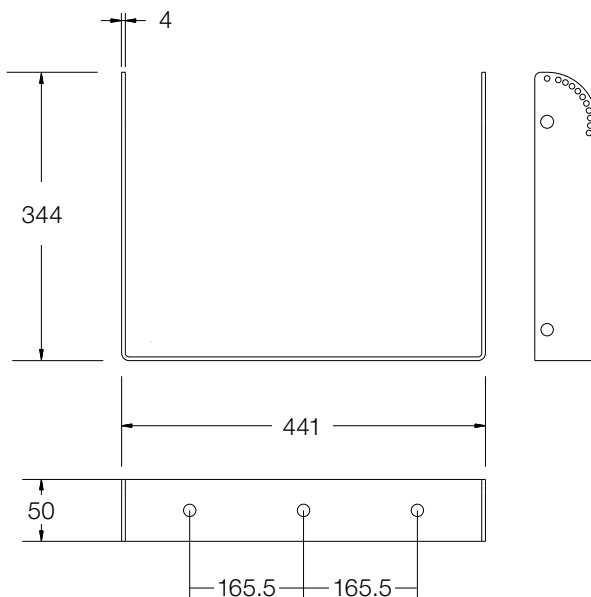
MADE IN ITALY

CODE: 41911

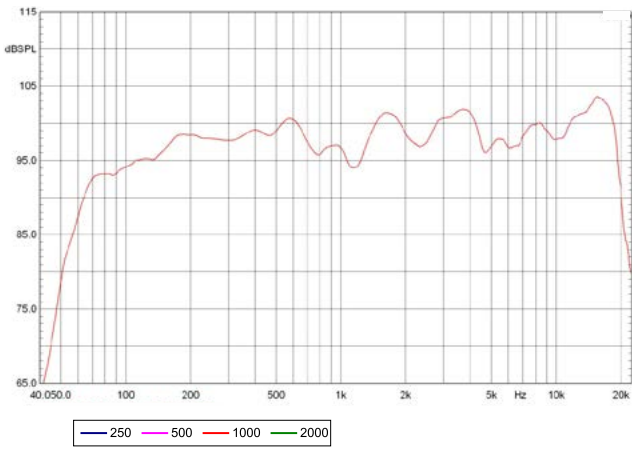
Dimensions in mm



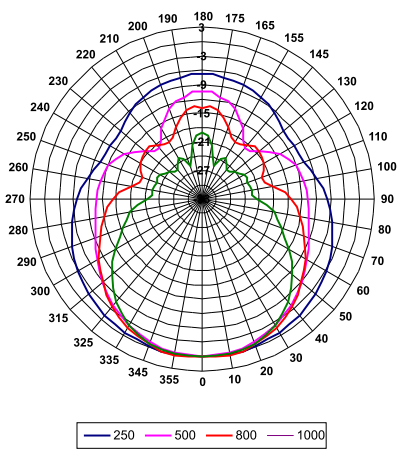
Wall bracket



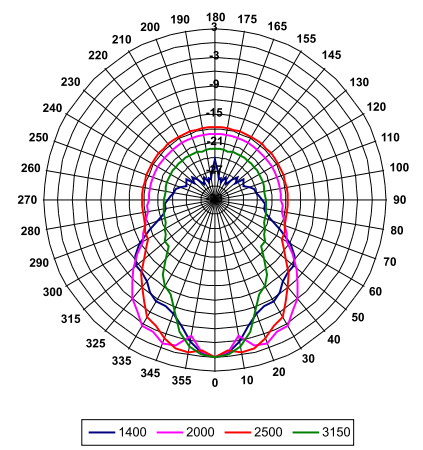
Frequency response | Polar plot



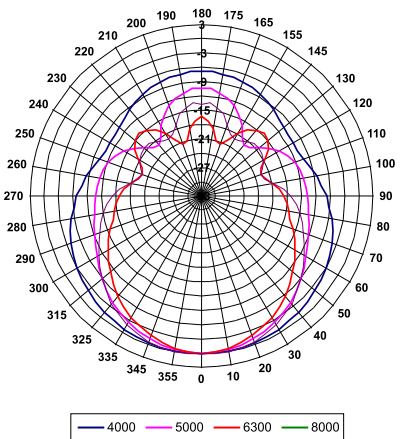
Horizontal



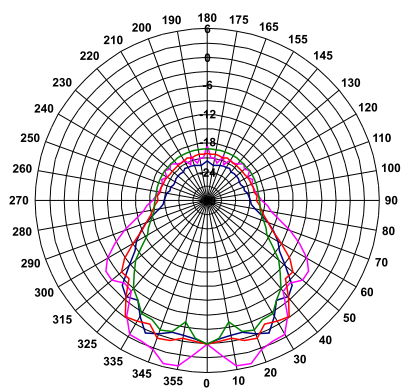
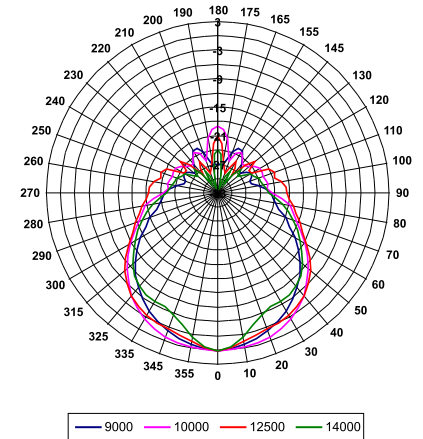
4000 8000 12500 16000



Vertical



1400 2000 2500 3150



9000 10000 12500 14000

