

Digital clock «Style 5S OP»

For Indoor



Télécommande



Description

- SMD LED technology for indoor installation
- Principally used in operating theatres
- Hours, minutes and seconds display
- Fixed or alternate time with date or week number display or timer display
- Height of digits: 5 cm, optimal viewing distance: 20 metres
- Angle of vision: 120°
- LED colours: red or green
- Models: independent, impulse, AFNOR and NTP

Standards

- EMV: EN55032 and EN55024
- LVD: EN60950
- R&TTE (radio models): EN301-489-3

General features

Adjustable brightness	4 levels
Display mode	12 or 24 hour
Eco mode	Programmable energy saving or predefined over a time period
Time change	Automatic summer / winter time changeover and perpetual calendar
Time base backup	- Independent model: 15 days in case of power failure - Impulse model: in case of power failure, data saving and impulses reception without battery - Synchronised models: at each start the clocks wait for the synchronisation signal
Time accuracy	0.2 second/day (except NTP model: precision dependent on the time server)
Operation	Silent
Digit	7 segments with 3 LEDs
Hours and minutes separating	Colon made of LEDs
Configuration	2 capacitive buttons
NTP model	- Synchronisation unicast, multicast and by DHCP - Advanced configuration from the embedded web server

Mechanical features

Construction	Stainless steel casing (IP54, IK03) and PPMA Poly (methyl methacrylate)
Mounting	Flush mounting with 4 holes (screws not provided)
Operating temp. range	-5°C to +55° C
Weight	1.2 kg

Electrical features

Power supply	- Independent, impulse, AFNOR models: 100–240 V AC - NTP model: PoE (Power over Ethernet) – class 0
Consumption max.	4.5 W
Electric protection	Class 2

Ordering information



Red



Green

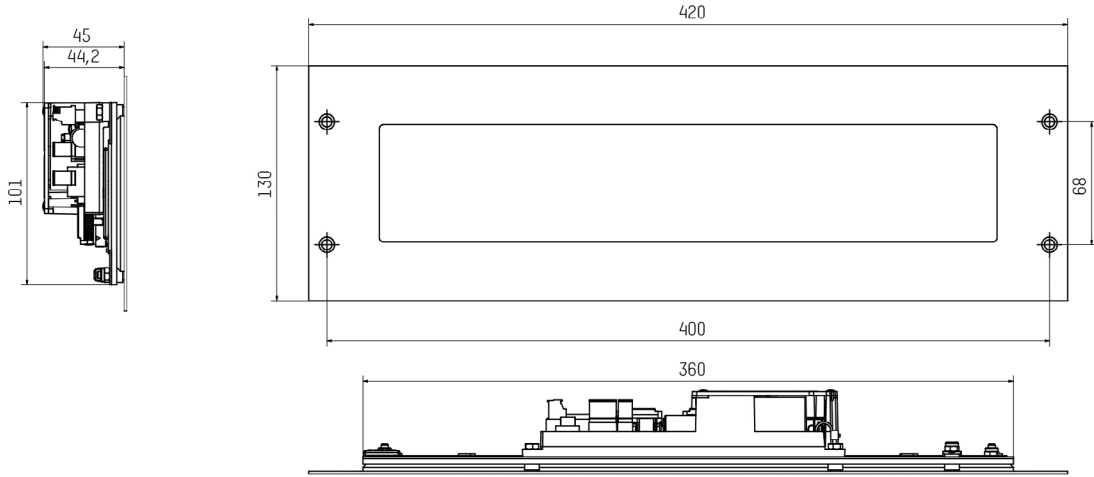
946 311	946 312	Independent model
946 321	946 322	Impulse model
946 351	946 352	AFNOR model
946 371	946 372	NTP model
946 012	946 012	Back cover for recess mounting

Add a «K» at the end of the reference to include the control unit.

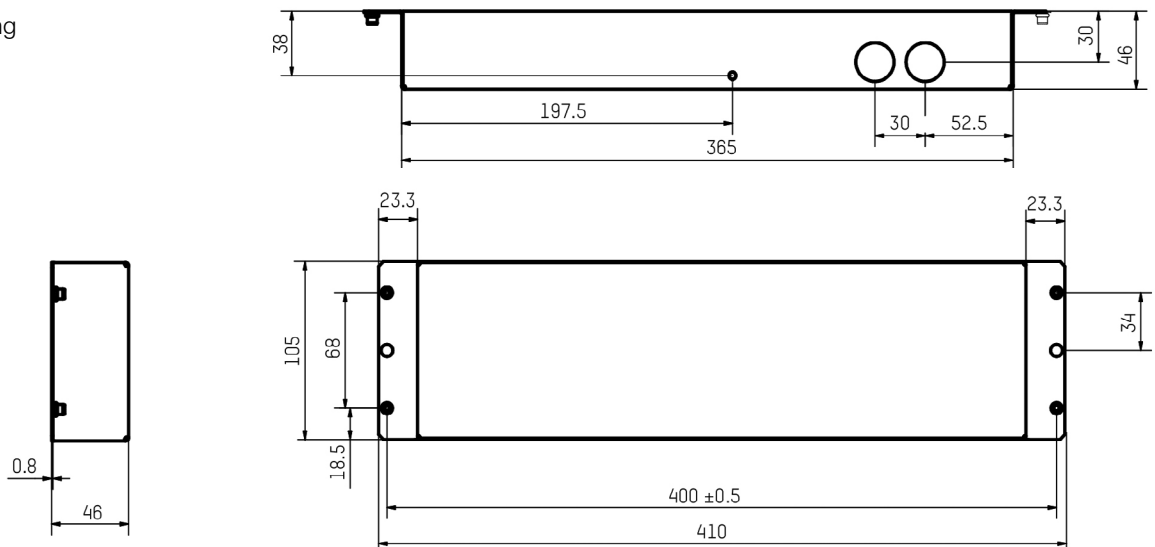
Ex.: 946 311K => Style 5S OP independent (red LED) with control

Dimensions (in mm)

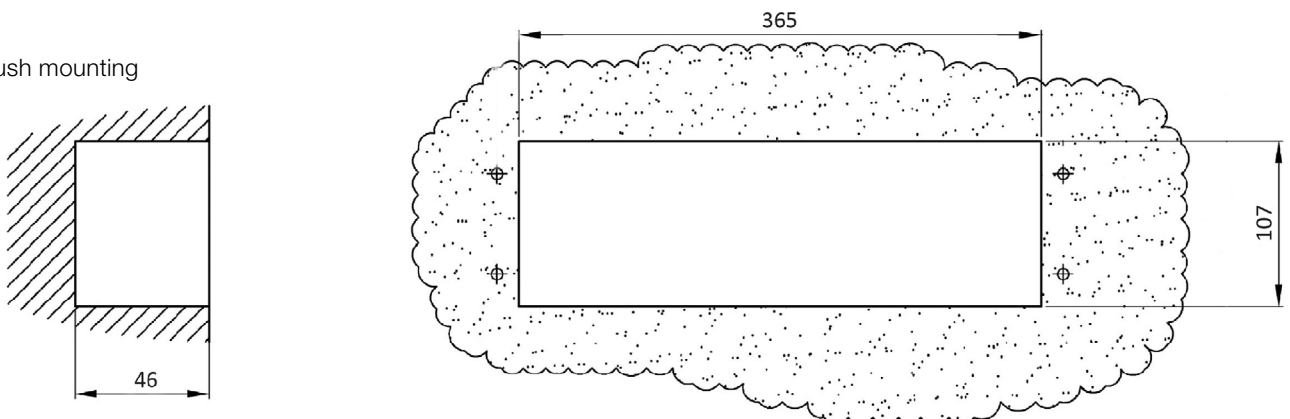
Clock



Recess mounting



Flush mounting



Remote control «Style 5S OP»

General features

Waterproof control unit with touch sensitive keys for easy cleaning.

- Control for up to 10 clocks
- Stopwatch: Hour, minute, second from 0 to 23:59:59
- Time display mode key with LED indicator.
- Stopwatch display mode key with LED indicator
- Start/stop key: successive pressings for start/stop of the stopwatch
- Reset key: resetting to zero of the stopwatch

Mechanical features

Binding	Flush mounting (screws not provided)
Operating temperature	0 to 50° C
Protection index	Front face IP55
Weight	255 g

Electrical features

Connection	2-pair telephone cable 5/10, max length: 20 meters
Power supply	Power by the clock

Dimensions of the remote control (in mm)

