

Digital clock «Style 5S»

For Indoor



Recessed version



Description

- SMD LED technology for indoor installation
- Display: hours, minutes, seconds
- Fixed or alternate time with date or week number display or timer display or chronometer display (optional chronometer keyboard)
- Height of digits: 5 cm, optimal viewing distance: 20 metres
- Angle of vision 120°
- LED colours: red, green, yellow, blue and white
- Models: independent, impulse, wireless DCF, wireless DHF, AFNOR and NTP

Recessed version

Style 5S recess mounting digital clock having the same electronics and the same operation than the normal version. However the mechanics are different to allow for recess mounting in a wall.

- LED colours: red
- Models: independent, impulse, AFNOR and NTP

Standards

- EMV: EN55032 and EN55024
- LVD: EN60950
- RED (radio models): EN301-489-3

General features

Adjustable brightness	4 levels
Display mode	12 or 24 hour
Eco mode	Programmable energy saving or predefined over a time period
Time change	Automatic summer/winter time changeover and perpetual calendar
Time base backup	- Independent model: 15 days in case of power failure - Impulse model: in case of power failure, data saving and impulses reception without battery - Synchronised models: at each start the clocks wait for the synchronisation signal
Time accuracy	0.2 second/day (except NTP model: precision dependent on the time server)
Operation	Silent
Digit	7 segments with 3 LEDs
Hours and minutes separating	Colon made of LEDs
Configuration	2 capacitive buttons
NTP model	- Synchronisation unicast, multicast and by DHCP - Advanced configuration from the embedded web server

Mechanical features

Construction	PC/ABS black (IP30, IK02) and PPMA Poly (methyl methacrylate) cristal
Operating temp. range	-5°C to +50° C
Weight	0.49 kg
Weight recessed version	0.860 kg (NTP: 0.835 kg)

Electrical features

Power supply	- Independent, impulse, AFNOR and wireless DHF models: 100–240 VAC - Wireless DCF model: 230 VAC - NTP model: PoE (Power over Ethernet) – class 0
Consumption	100–240 VAC; 75–30 mA
Electric protection	NTP model: Class 3 Other synchronisations: Class 2

Ordering information



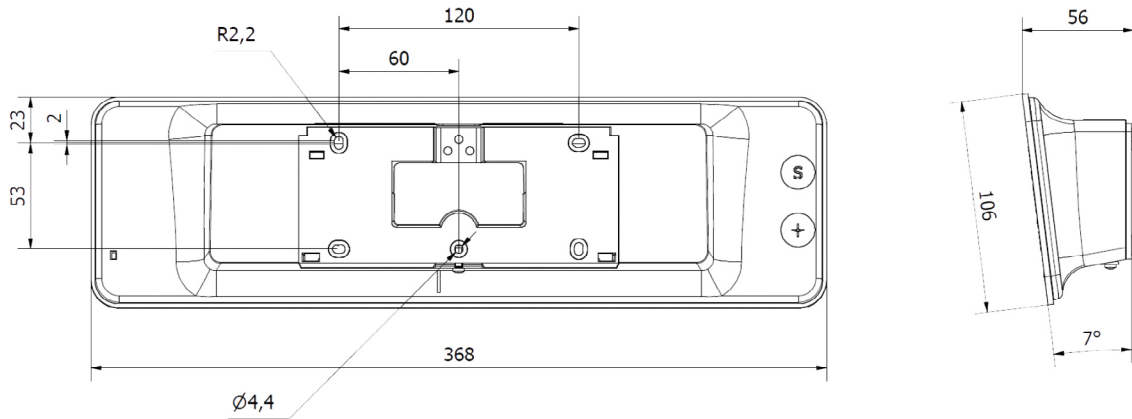
1: Red – 2: Green – 3: Yellow – 4: Blue – 5: White
Choose the LED colour by replacing the «x» in the reference number

946 21x	Independent model
946 22x	Impulse model
946 23x	DCF model
946 24x	DHF model
946 25x	AFNOR model
946 27x	NTP model
946 001	Double sided mounting
946 002	Unilateral mounting

Recessed version

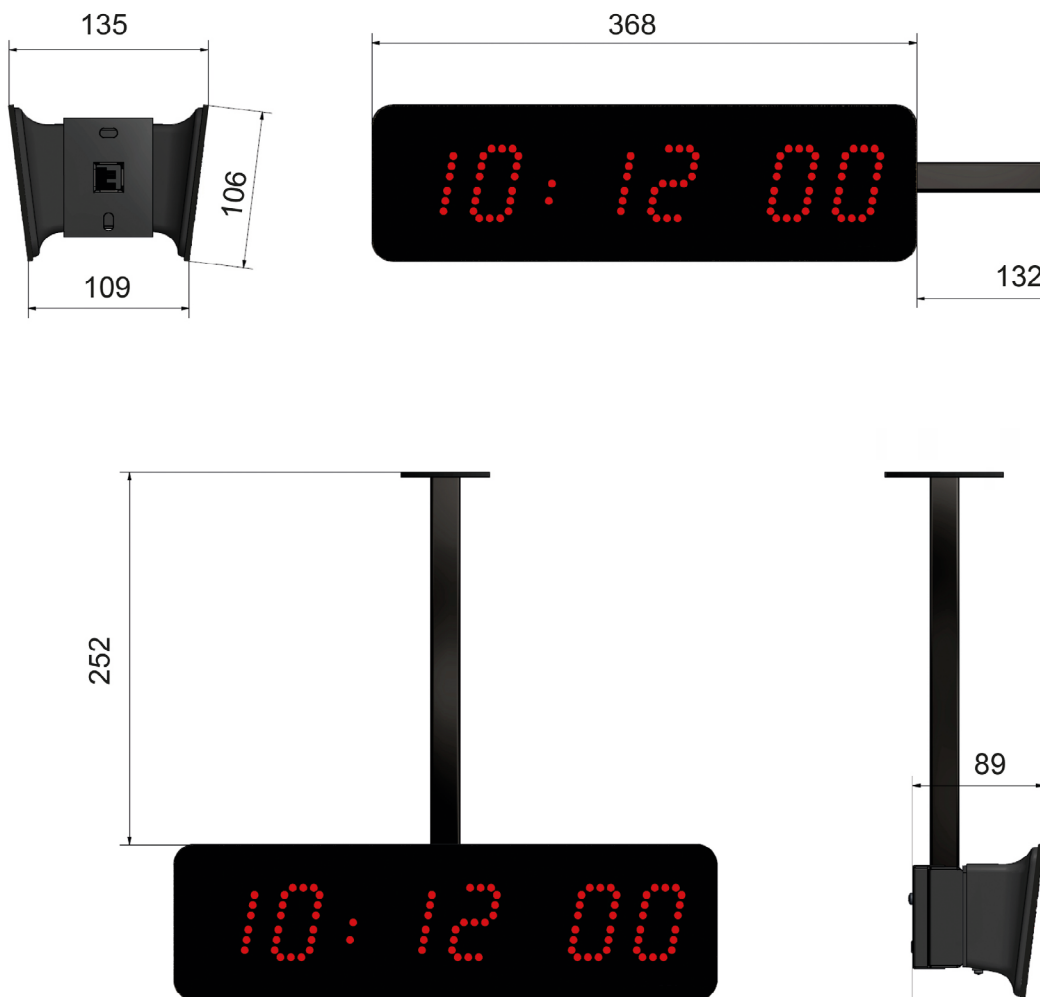
946 211 F	Independent model
946 221 F	Impulse model
946 241 F	DHF mode (not in metallic partition)
946 251 F	AFNOR model
946 271 F	NTP model
946 011	Back cover for recess mounting

Dimensions (measurements in mm)



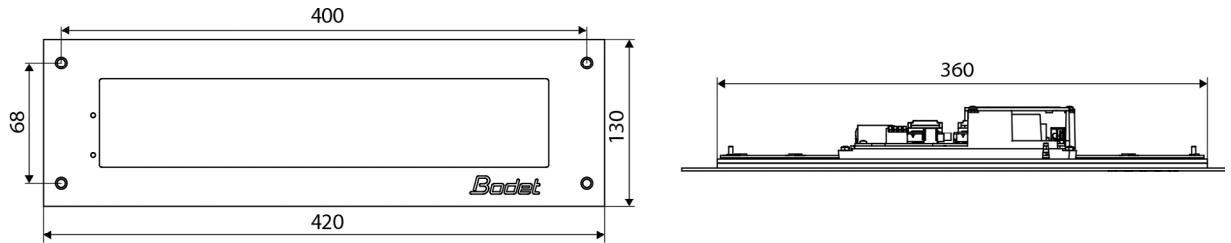
Mounting on hanging bracket

The hanging bracket (made of steel) makes possible to hang the clock from the ceiling or from the wall

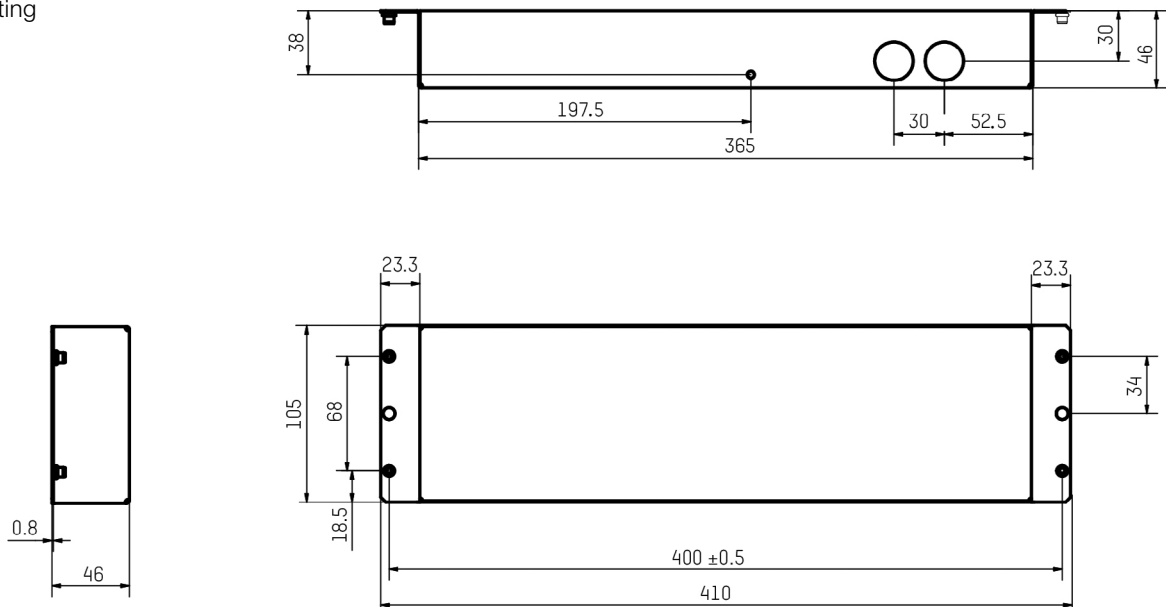


Dimensions (in mm) for flush mounting

Clock



Recess mounting



Flush mounting

