

Digital clock «Style 7D»

For Indoor



Recessed version



Description

- SMD LED technology for indoor installation
- Hours and minutes and revolving second display on ellipse design
- Fixed or alternate time with date or week number display or temperature (probe integrated in the clock)
- Height of digits: 7 cm, height of letters: 5 cm, optimal viewing distance: 30 metres
- Angle of vision: 120°
- LED colours: red, green, yellow, blue and white
- Display of the seconds by highlighted effect on the moving dot
- Models: independent, impulse, wireless DCF, wireless DHF, AFNOR and NTP

Recessed version

Style 7D recess mounting digital clock having the same electronics and the same operation than the normal version. However the mechanics are different to allow for recess mounting in a wall.

- LED colours: red
- Models: independent, impulse, AFNOR and NTP

Waterproof version

Style 7D waterproof digital clock having the same electronics and the same operation than the normal version. However the mechanics are different to allow for an IP55 Ingress protection rating.

- LED colour: red
- Models: independent, impulse, DHF, AFNOR and NTP

Standards

- EMV: EN55032 and EN55024
- LVD: EN60950
- RED (radio models): EN301-489-3

General features

Adjustable brightness	4 levels
Display mode	12 or 24 hour
Eco mode	Programmable energy saving or predefined over a time period
Time change	Automatic summer/winter time changeover and perpetual calendar
Time base backup	- Independent model: 15 days in case of power failure - Impulse model: in case of power failure, data saving and impulses reception without battery - Synchronised models: at each start the clocks wait for the synchronisation signal
Time accuracy	0.2 second/day (except NTP model: precision dependent on the time server)
Operation	Silent
Digit	7 segments with 4 LEDs
Hours and minutes separating	Colon made of LEDs
Configuration	2 capacitive buttons
NTP model	- Synchronisation unicast, multicast and by DHCP - Advanced configuration from the embedded web server

Mechanical features

Construction	PC/ABS black (IP30, IK02) and PPMA Poly (methyl methacrylate) cristal
Operating temp. range	-5° C to +50° C
Weight	0.965 kg
Weight recessed version	1.570 kg (NTP: 1.530 kg)
Weight waterres. version	1.135 kg

Electrical features


Power supply	- Independent, impulse, AFNOR and wireless DHF models: 100–240 VAC - Wireless DCF model: 230 VAC - NTP model: PoE (Power over Ethernet) – class 0
Consumption	100–240 VAC; 125–55 mA
Electric protection	NTP model: Class 3 Other synchronisations: Class 2

Ordering information



1: Red – 2: Green – 3: Yellow – 4: Blue – 5: White
Choose the LED colour by replacing the «x»
in the reference number by

946 61x	Independent model
946 62x	Impulse model
946 63x	DCF model
946 64x	DHF model
946 65x	AFNOR model
946 67x	NTP model
946 003	Double sided mounting
946 004	Unilateral mounting



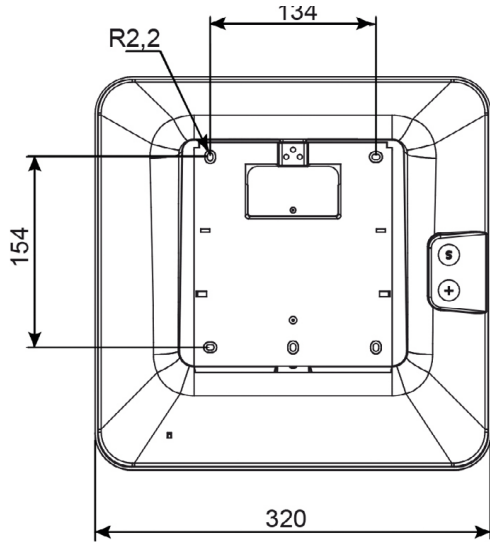
Recessed version

946 611 F	Independent model
946 621 F	Impulse model
946 641 F	DHF mode (not in metallic partition)
946 651 F	AFNOR model
946 671 F	NTP model
946 016	Back cover for recess mounting

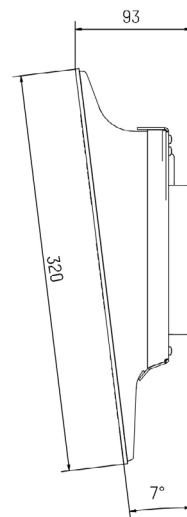
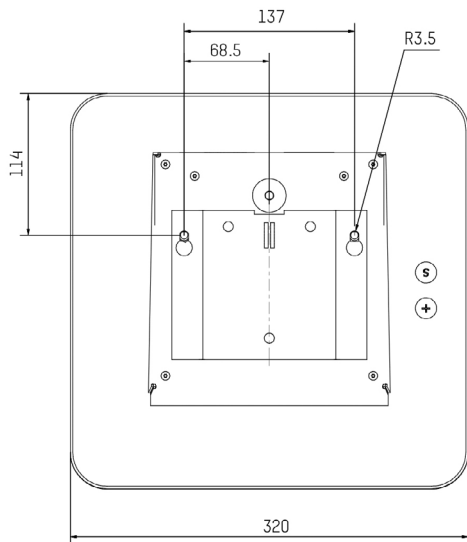
Waterresistant version

946 611 A	Independent model
946 621 A	Impulse model
946 641 A	DHF mode (not in metallic partition)
946 651 A	AFNOR model
946 671 A	NTP model

Dimensions (in mm)

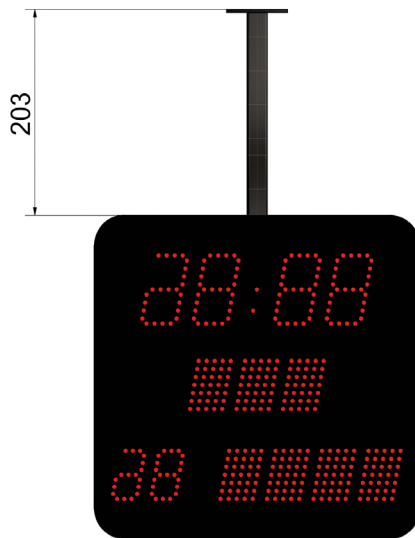
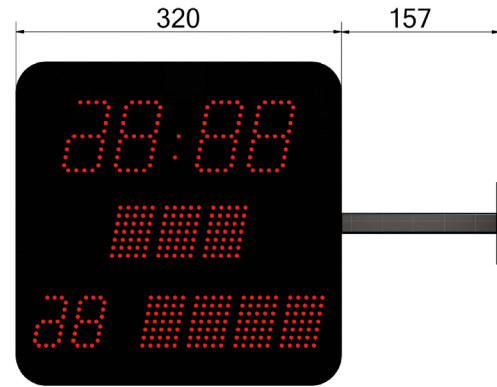
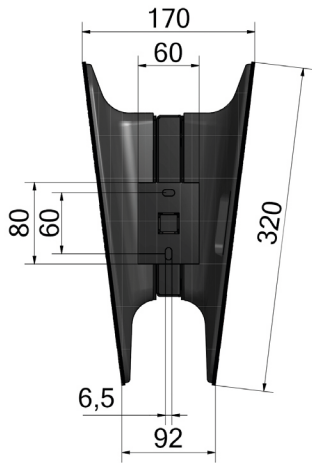


Waterresistant version



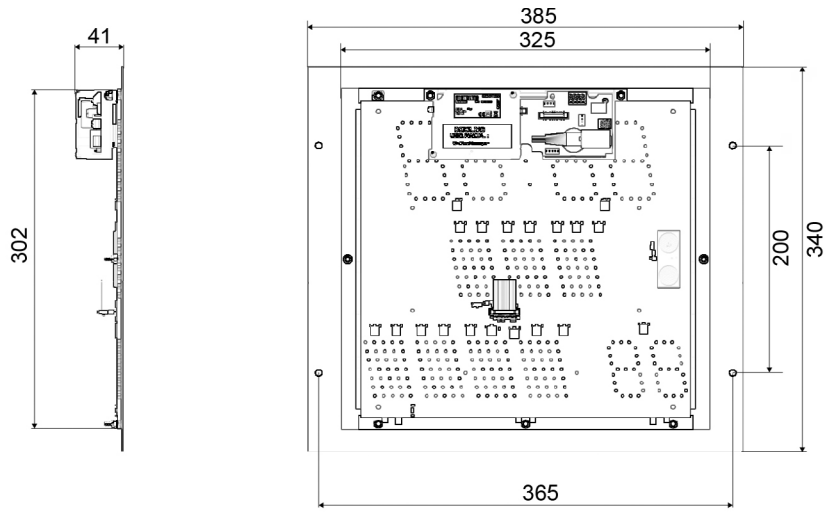
Mounting on hanging bracket

The hanging bracket (made of steel) makes possible to hang the clock from the ceiling or from the wall

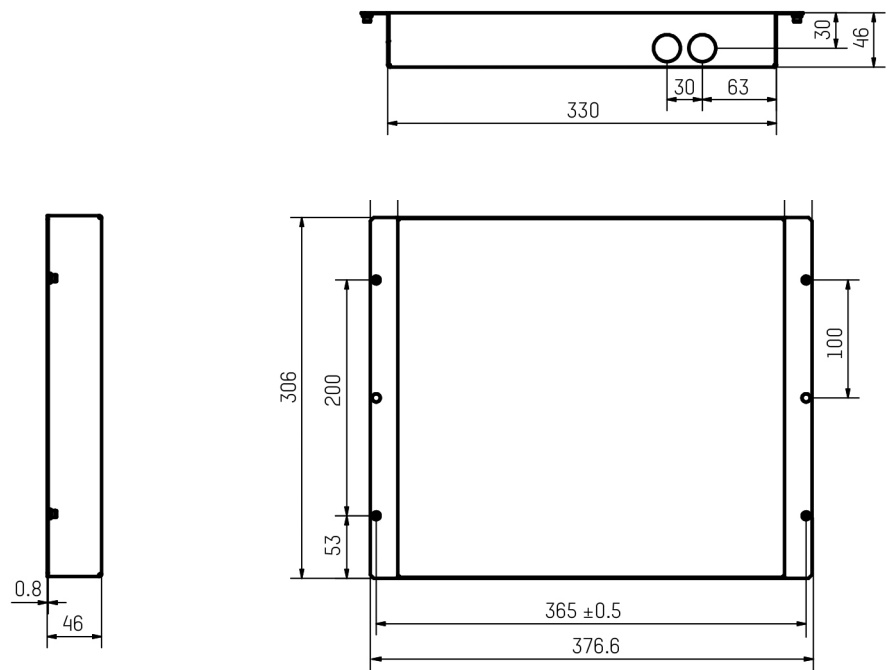


Dimensions (in mm) for flush mounting

Clock



Recess mounting



Flush mounting

