

# Digital clock «Style 7»

For Indoor



Recessed version



## Description

- SMD LED technology for indoor installation
- Hours and minutes display
- Fixed or alternate time with date or week number display
- Height of digits: 7 cm, optimal viewing distance: 30 metres
- Angle of vision 120°
- LED colours: red, green, yellow, blue and white
- Models: independent, impulse, wireless DCF, wireless DHF, AFNOR and NTP

### Recessed version

Style 7 recess mounting digital clock having the same electronics and the same operation than the normal version. However the mechanics are different to allow for recess mounting in a wall.

- LED colours: red
- Models: independent, impulse, AFNOR and NTP

### Waterproof version

Style 7 waterproof digital clock having the same electronics and the same operation than the normal version. However the mechanics are different to allow for an IP55 Ingress protection rating.

- LED colour: red
- Models: independent, impulse, DHF, AFNOR and NTP

## Standards

- EMV: EN55032 and EN55024
- LVD: EN60950
- RED (radio models): EN301-489-3

**General features**

Adjustable brightness	4 levels
Display mode	12 or 24 hour
Eco mode	Programmable energy saving or predefined over a time period
Time change	Automatic summer/winter time changeover and perpetual calendar
Time base backup	- Independent model: 15 days in case of power failure - Impulse model: in case of power failure, data saving and impulses reception without battery - Synchronised models: at each start the clocks wait for the synchronisation signal
Time accuracy	0.2 second/day (except NTP model: precision dependent on the time server)
Operation	Silent
Digit	7 segments with 4 LEDs
Hours and minutes separating	Colon made of LEDs
Configuration	2 capacitive buttons
NTP model	- Synchronisation unicast, multicast and by DHCP - Advanced configuration from the embedded web server

**Mechanical features**

Construction	PC/ABS black (IP30, IK02) and PPMA Poly (methyl methacrylate) cristal
Operating temp. range	-5°C to +50°C
Weight	0.4 kg
Weight recessed version	0.65 kg (NTP: 0.750 kg)
Weight waterres. version	0.53 kg

**Electrical features**

Power supply	- Independent, impulse, AFNOR and wireless DHF models: 100–240 VAC - Wireless DCF model: 230 VAC - NTP model: PoE (Power over Ethernet) – class 0
Consumption	100–240 VAC; 60–25 mA
Electric protection	NTP model: Class 3 Other synchronisations: Class 2

**Ordering information**



1: Red – 2: Green – 3: Yellow – 4: Blue – 5: White  
Choose the LED colour by replacing the «x»  
in the reference number by

946 41x	Independent model
946 42x	Impulse model
946 43x	DCF model
946 44x	DHF model
946 45x	AFNOR model
946 47x	NTP model
946 001	Double sided mounting
946 002	Unilateral mounting



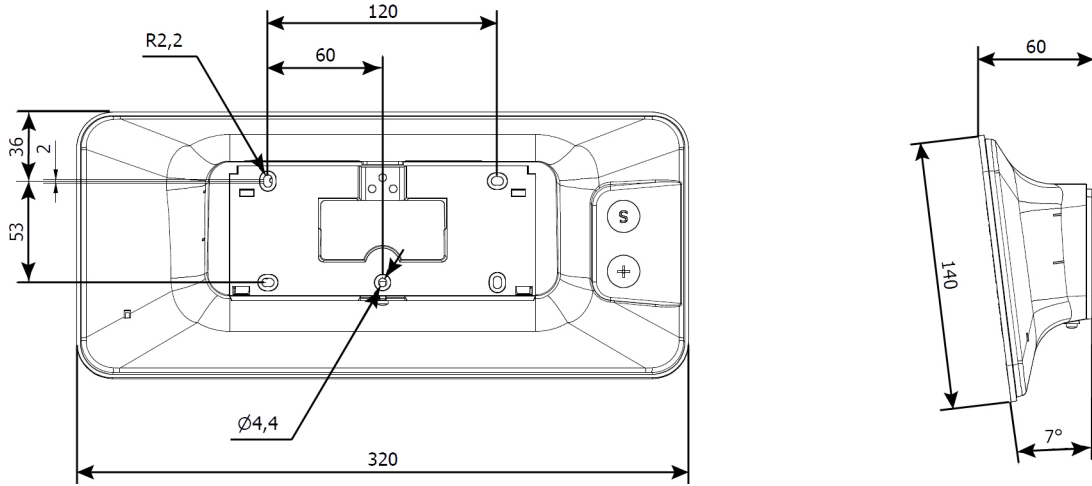
**Recessed version**

946 411 F	Independent model
946 421 F	Impulse model
946 441 F	DHF mode (not in metallic partition)
946 451 F	AFNOR model
946 471 F	NTP model
946 011	Back cover for recess mounting

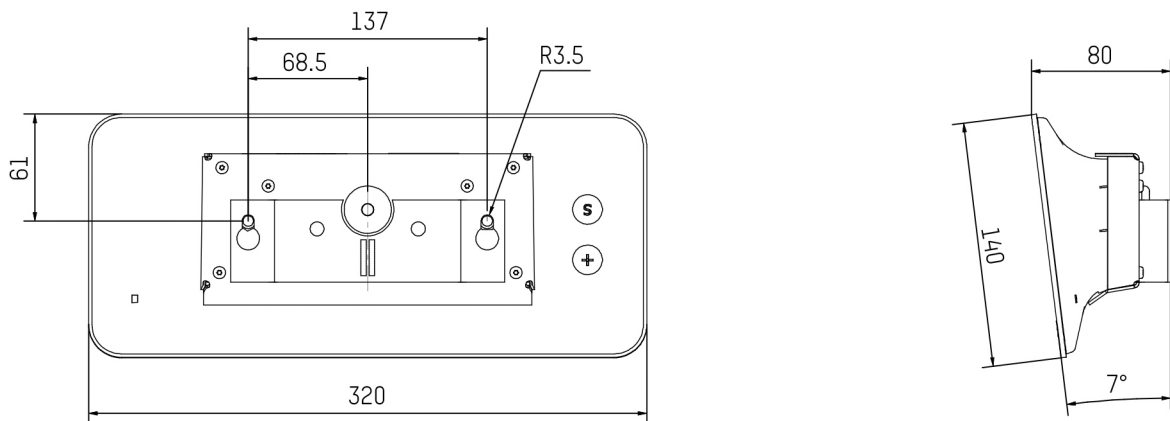
**Waterresistant version**

946 411 A	Independent model
946 421 A	Impulse model
946 441 A	DHF mode (not in metallic partition)
946 451 A	AFNOR model
946 471 A	NTP model

Dimensions (in mm)

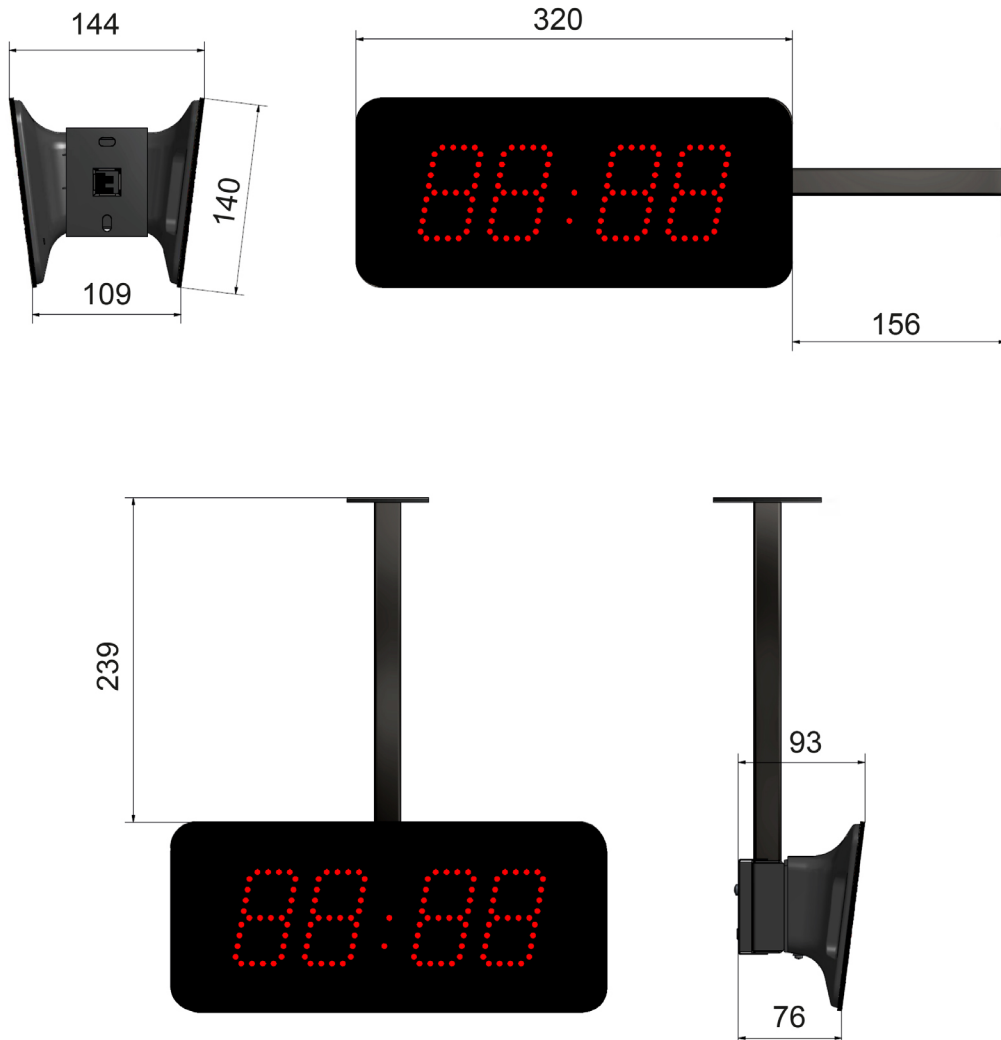


Waterresistant version



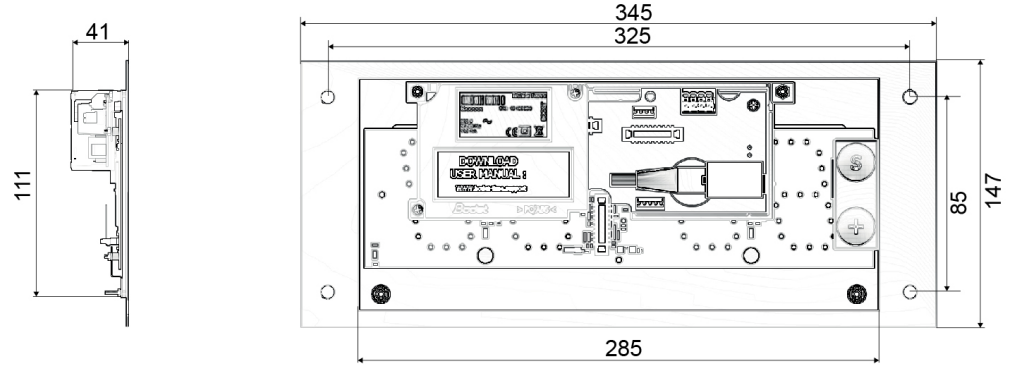
**Mounting on hanging bracket**

The hanging bracket (made of steel) makes possible to hang the clock from the ceiling or from the wall

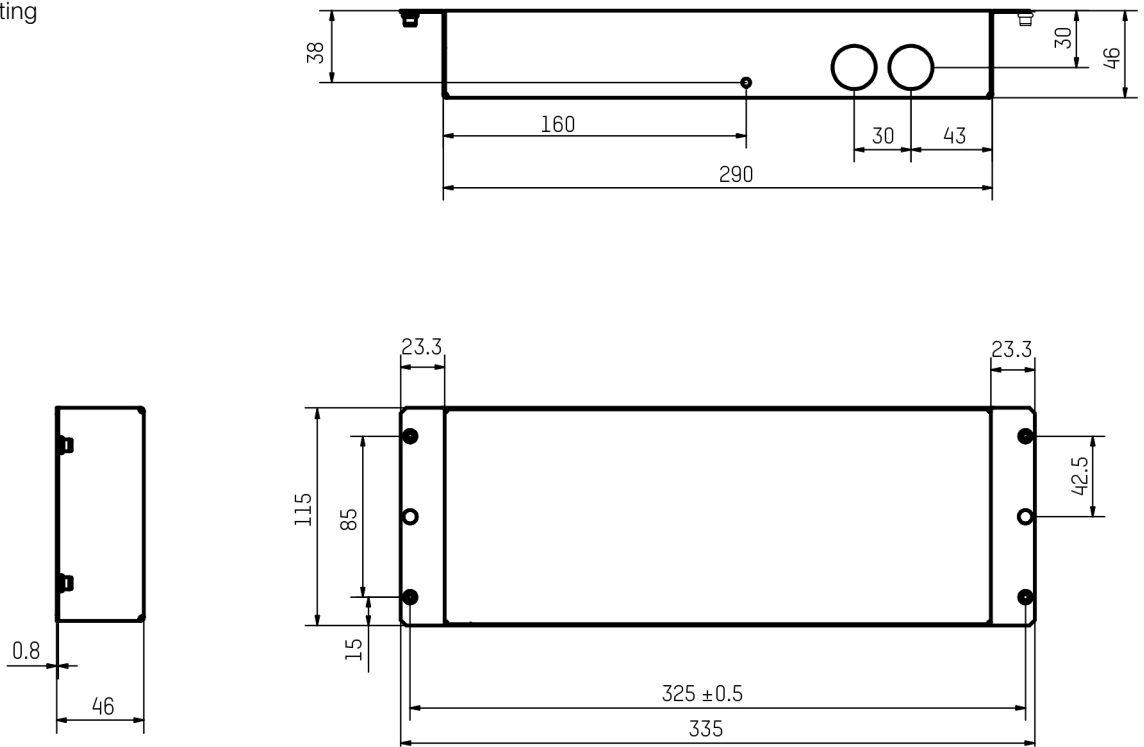


Dimensions (in mm) for flush mounting

Clock



Recess mounting



Flush mounting

