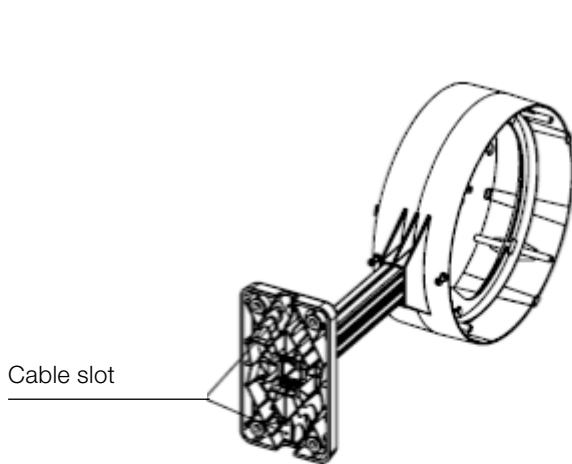
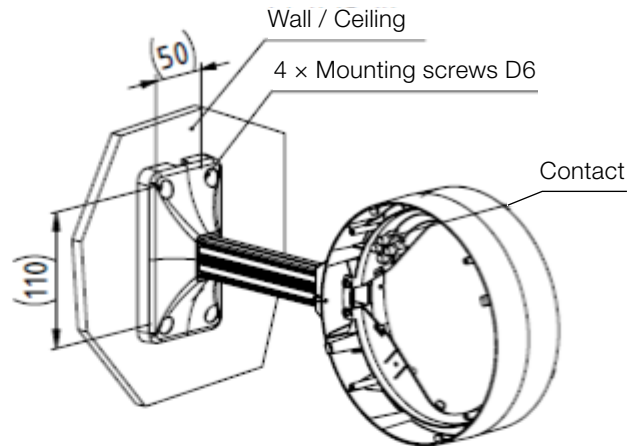


# GM-B16137x

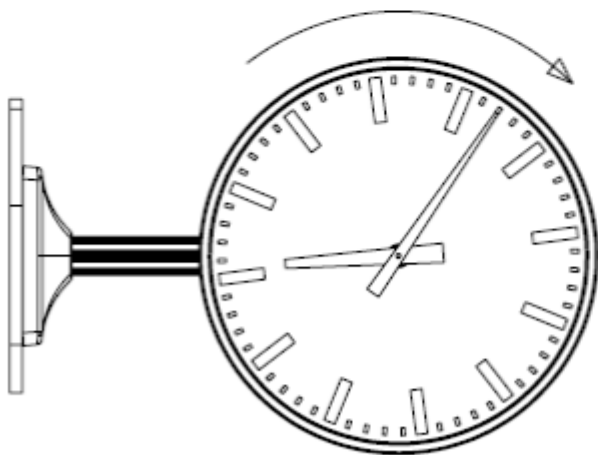
Assembly for clock console. Double-sided wall- or ceiling mounting of analogue slave clocks



Place the cable into the slot in the bracket and then through the profile.



Screw the bracket to the wall / ceiling. Connect the cable to the wall.



Connect the cables in consol to the clockwork. Mount the clock to the consol by turning in clockwise direction.

